

2MP WDR LightHunter Fixed Bullet Network Camera

IPC2222EBR5-HDUPF40(60)



Key Features



Optics

- LightHunter
- 60fps Frame Rate
- Day/night functionality
- Smart IR, up to 50m (164ft) IR distance
- IR anti-reflection window to increase the infrared transmittance
- 120dB TRUE WDR
- 2D/3D DNR (Digital Noise Reduction)

Compression

- Ultra265, H.265, H.264, MJPEG
- Triple streams
- ROI (Region of Interest)
- 9:16 corridor format

Network

- ONVIF Conformance

Structure

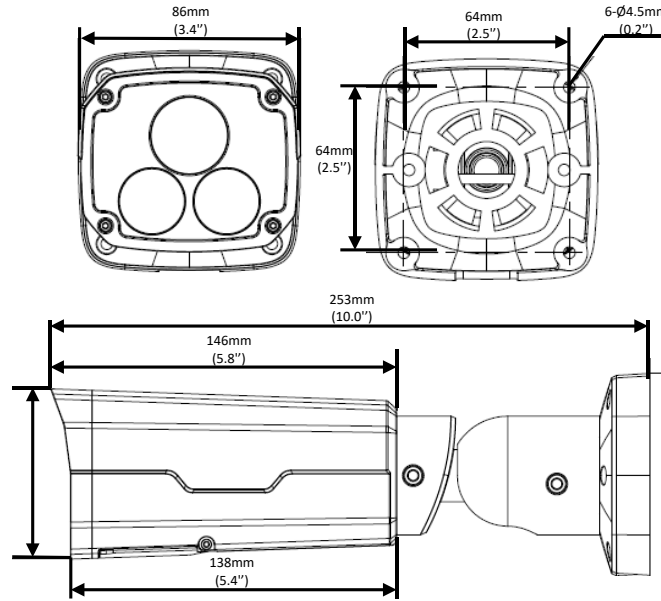
- Wide temperature range: -35°C ~ 60°C (-31°F ~ 140°F)
- Wide voltage range of ±25%
- IK10 vandal resistant
- IP67
- 3-Axis

Specifications

	IPC2222EBR5-HDUPF40	IPC2222EBR5-HDUPF60			
Camera					
Sensor	1/2.8", 2.0 megapixel, progressive scan, CMOS				
Lens	4.0mm@F1.6		6.0mm@F1.6		
DORI Distance	Lens (mm)	Detect (m)	Observe (m)	Recognize (m)	Identify (m)
	4.0	64.3	25.7	12.9	6.4
	6.0	96.4	38.6	19.3	9.6
Angle of View (H)	78.7°		53.3°		
Angle of View (V)	42.8°		29.3°		
Angle of View (O)	96.8°		65.5°		
Adjustment angle	Pan: 0° ~ 360°		Tilt: 0° ~ 90°		Rotate: 0° ~ 360°
Shutter	Auto/Manual, 1 ~ 1/100000s				
Minimum Illumination	Colour: 0.001Lux (F1.6, AGC ON) 0Lux with IR on				
Day/Night	IR-cut filter with auto switch (ICR)				
S/N	>52dB				
IR Range	Up to 50m (164ft) IR range				
wavelength	850nm				
IR On/Off Control	Auto/Manual				
Defog	Digital Defog				
WDR	120dB				
Video					
Video Compression	Ultra265, H.265, H.264, MJPEG				
H.264 code profile	Baseline profile, Main Profile, High Profile				
Frame Rate	Main Stream: 2MP (1920*1080), Max 60fps; Sub Stream: 2MP (1920*1080), Max 30fps; Third Stream: D1 (720*576), Max 30fps				
Video Bit Rate	128 Kbps~16 Mbps				

9:16 Corridor Mode	Supported
OSD	Up to 8 OSDs
Privacy Mask	Up to 8 areas
ROI	Up to 8 areas
Image	
White Balance	Auto/Outdoor/Fine Tune/Sodium Lamp/Locked/Auto2
Digital noise reduction	2D/3D DNR
Smart IR	Support
Flip	Normal/Vertical/Horizontal/180°/90°Clockwise/90°Anti-clockwise
Dewarping	Support
HLC	Support
BLC	Support
Storage	
Edge Storage	Micro SD, up to 256GB
Network Storage	ANR, NAS(NFS)
Network	
Protocols	IPv4, IGMP, ICMP, ARP, TCP, UDP, DHCP, PPPoE, RTP, RTSP, RTCP, DNS, DDNS, NTP, FTP, UPnP, HTTP, HTTPS, SMTP, 802.1x, SNMP, QoS
Compatible Integration	ONVIF (Profile S, Profile G, Profile T), API
Client	EZStation EZView EZLive
Web Browser	Plug-in required live view: IE9+, Chrome 41 and below, Firefox 52 and below
	Plug-in free live view: Chrome 57.0+, Firefox 58.0+, Edge 16+, Safari 11+
Interface	
Network	1 RJ45 10M/100M Base-TX Ethernet
Certifications	
Certifications	CE: EN 60950-1 UL: UL60950-1 FCC: FCC Part 15
General	
Power	DC 12V±25%, PoE (IEEE 802.3af)
	Power consumption: Max 7.5W
Dimensions (L × W × H)	253.4 × 86 × 71.7mm (9.98" × 3.4" × 2.8")
Net Weight	1.0kg (2.2lb)
Material	Metal
Working Environment	-35°C ~ 60°C (-31°F ~ 140°F), Humidity: ≤95% RH (non-condensing)
Storage Environment	-35°C ~ 60°C (-31°F ~ 140°F), Humidity: ≤95% RH (non-condensing)
surge protection	6KV
Ingress Protection	IP67
Vandal Resistant	IK10

Dimensions

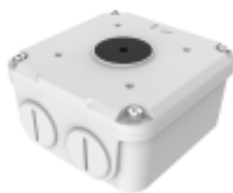


Accessories

TR-JB07-D-IN



TR-JB06-A-IN



TR-UP06-B-IN



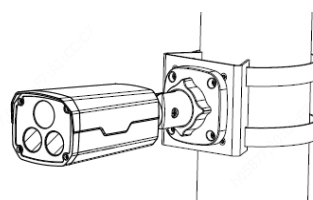
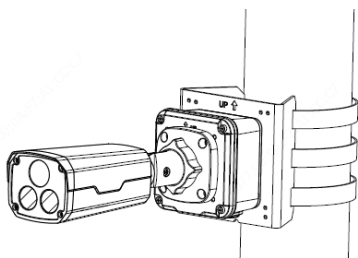
TR-UP06-C-IN



TR-A01-IN



Junction Mount	Pole Mount
TR-JB07-D-IN(TR-JB06-A-IN)+ TR-UP06-C-IN	TR-UP06-B-IN



Zhejiang Uniview Technologies Co., Ltd.

Building No.10, Wanlun Science Park, Jiangling Road 88, Binjiang District, Hangzhou, Zhejiang, China (310051)

Email: overseasbusiness@uniview.com; globalsupport@uniview.com

<http://www.uniview.com>

©2019 Zhejiang Uniview Technologies Co., Ltd. All rights reserved.

*Product specifications and availability are subject to change without notice.