

SN-T5/F

Body Temperature Measurement Camera



Key Features

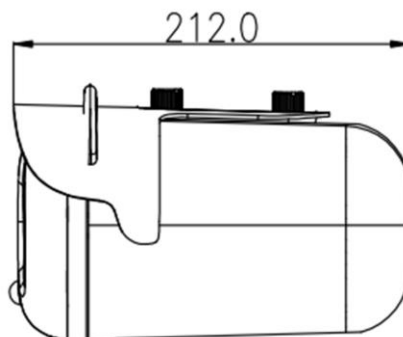
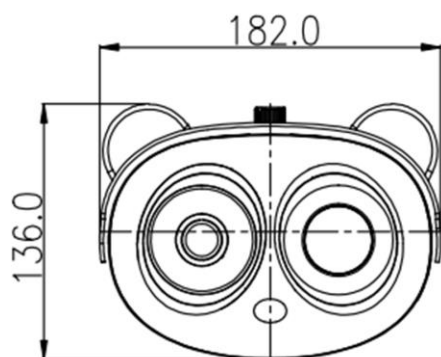
- On-board temp-detection algorithm
- One IP address two channels
- Effective pixels 400×300
- Sensitivity $\leq 40\text{mK}$
- Thermal: 8mm Fixed lens, Visible: 2.7~12mm motorized lens
- Accuracy $\pm 0.3^{\circ}\text{C}$
- Body temperature measurement up to 45 Targets
- Response Time $\leq 30\text{ms}$
- 17 color control

Specification

Thermal Camera	
Detector Type	Uncooled IRFPA Microbolometer
Effective Pixels	400(H) × 300(V)
Pixel Size	17um
Thermal Sensitivity (NETD)	≤40mK @F1.0, 300K
Spectral Range	8~14um
Image Setting	Polarity LUT/ DVE/ Mirror/ FCC/ /3D DNR Brightness/Contrast/ ROI
Color Palettes	Black-Heat /White-Heat/Rainbow/Iron-Red up to 17 modes
Thermal Lens	
Lens Type	Fixed
Focus Control	Manual Focus
Focal Length	8mm
F No.	F1.0
Angle of View	H: 46°, V: 35°
Visible Camera	
Image Sensor	1/2.8" Sony CMOS
Effective Resolution	1920(H) × 1080(V)
Shutter Speed	1/5 ~ 1/20,000s
Wide Dynamic Range	True WDR 120dB
Min. Illumination	Color: 0.1Lux @(F1.2, AGC ON) B/W: 0.01Lux @(F1.2, AGC ON)
S/N Ratio	More than 55dB
Focal Length	2.7 ~ 12mm
Max Aperture	F1.6~ F2.9
Angle of View	105°~ 32°
Focus Control	Motorized
Video and Audio	
Frame Rate	Main Stream: Visible: 1920 × 1080/1280 × 720 @25/30fps Thermal: D1 @25/30fps Sub Stream: Visible: D1/VGA/640 × 360/CIF/QVGA @25/30fps Thermal: CIF @25/30fps
Bit Rate Control	CBR/VBR
Bit Rate	Main Stream: Thermal: 100Kbps~6Mbps Visible: 100Kbps~12Mbps Sub Stream: Thermal: 10Kbps~1.5Mbps Visible: 10Kbps~6Mbps
Region of Interest	Off / On (8 Zone, Rectangle)
Digital Zoom	16x
Mirror	Support
Defog	Support
Motion Detection	Support
Privacy Masking	Off / On (4 Area, Rectangle)
DVE Image Enhance	Support
Audio Compression	G.711, RAW_PCM

Intelligence	
Intelligent Functions	Motion detection, Disk alarm, I/O alarm, Temperature alarm
IVS	Smart Body Detection, Perimeter ,Single Virtual Fences ,Double Virtual Fences ,Object Left ,Object Removed
Temperature Detection	
Detection Mode	Body temperature monitoring
Detection Preset	Max 45 goals
Temperature Alarm	Over temperature alarm
Accuracy	± 0.3 °C (Emission rate, distance, ambient temperature, etc.) with blackbody , Environment temperature: 5°C ~ 40 °C (41°F ~ 104°F) Detection Distance: 3~5m (4m recommended) 、 Working Environment: Avoid the interference of wind, sunshine, high temperature and reflective objects, indoor is recommended
Response Time	≤30ms
Temperature Range	0 °C ~ 60 °C (32°F ~ 140°F)
Network	
Ethernet	RJ-45 (10/100Base-T)
Protocols:	IPv4/IPv6 ,HTTP,RTSP/RTP/RTCP, TCP/UDP, DHCP, DNS, PPPOE, SMTP, SIP ,802.1x
Interoperability	ONVIF, CGI, SDK
Streaming Method	Unicast
Max. User Access	10 Users
Edge Storage	Local PC for instant recording
Web Viewer	<IE11, Chrome, Firefox
Web Language	English, Chinese, Polish, Italian, Portuguese, Spanish. Russian, French, Czech, Hungarian
Interface	
Ethernet	1 Ethernet (10/100 Base-T) RJ-45 Connector
Audio Interface	1ch Audio In,1ch Audio Out
Alarm	2ch Alarm In,2ch Alarm Out
RS485	Support
BNC Output	N/A
Reset Button	Support (Built-in)
General	
Power Supply	DC12V/POE (IEEE 802.3af)
Power Consumption	Max 10W
Operating Temperature	-30°C~60°C(-22°F~140°F)
Storage Conditions	0~ 90% RH
Certifications	CE /FCC
Ingress Protection	IP66
Casing	Metal
Dimensions	212 × 182 × 136mm
Net Weight	2.1Kg

Dimensions(mm)



Accessories

Optional:



SN-BK346
Wall bracket



SN-BK350
Ceiling Bracket



SN-BK360
Tripod