

NVR1825-HDA

1 Bay Commercial Network Video Recorder



Features

High-performance

- Up to 4 x 1080p@30fps video decoding capability
- Up to 16 channels and 1080p supported
- Up to 80Mbps incoming bandwidth
- Up to 64Mbps output bandwidth

Small size

- 1.6Kg / 3.52lb
- 350 x 240 x 40mm / 13.78" x 9.45" x 1.57"

Easy to install

- Automatic network organizing
- Built-in DHCP server

High reliability

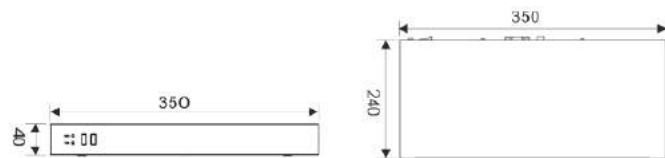
- Embedded Linux
- Low power consumption
- Supports Packet Loss Recovery (PLR)

Abundant functions and features

- HDMI/VGA simultaneously output different content (-16HDA)
- E-Map, TV-Wall supported
- Bi-directional audio, Broadcasting
- NAT, Socks5
- Alarm management
- Free CMS (NVR Station), supports 128 NVR simultaneously
- CMS supports 6 screens simultaneously (4 x Live viewing, 1 x E-Map, 1 x TV-Wall)

Dimensions

Units:mm



Specifications

	NVR1825-4HDA	NVR1825-9HDA	NVR1825-16HDA
Video/Audio Input			
IP Camera Input	4 channel	9 channel	16 channel
Resolution	1080p, UXGA, 960p, 720p, XGA, SVGA, D1, CIF, QCIF		
Compression	H.264		
Protocols	Onvif, RTSP, VSIP		
Incoming Bandwidth	20Mbps	45Mbps	80Mbps
Live Viewing			
Local Display	1 x HDMI, 1 x VGA, simultaneously output same content		1 x HDMI, 1 x VGA, simultaneously output different content
Multi Screen Display Local monitor	1, 4	1, 4, 9, 1+4, 1+8	Main / Secondary: 1/1, 4/1, 9/1, 15/1, 16/1, 1+4/1, 1+8/1, 1+9/1, 1+15/1, 4/9, 9/4, 9/9
Multi Screen Display Client	up to 4 screen simultaneously: 1, 3, 4, 9, 12, 16, 20, 25, 30, 36, 42, 49, 56, 63, 64 1+5, 1+7, 1+8, 1+9, 1+11, 1+15, 1+16, 1+33, 1+47, 1+48 Live Viewing in E-Map (NVR Station)		
E-Map Function	E-PTZ / Scheme / Polling / TV-Wall (optional with decoder)		
Recording			
Resolution	1080p, UXGA, 960p, 720p, XGA, SVGA, D1, CIF, QCIF		
Mode	Manual / Continuous / Schedule / Event (Pre / Post)		
Event Trigger	Supported		
Tag	Supported		
Search & Playback			
Search Mode	Date and time (Calendar) / Event		
Resolution	1080p, UXGA, 960p, 720p, XGA, SVGA, D1, CIF, QCIF		
Playback (Local Monitor)	1 x 1080p@30fps / 4 x 720p@30fps	1 x 1080p@30fps / 4 x 720p@30fps	4 x 1080p@30fps
Playback (Client)	2 x 1080p@30fps	4 x 1080p@30fps	5 x 1080p@30fps
Synchronize Playback (Local Monitor)	4 x 720p@30fps	4 x 720p@30fps	4 x 1080p@30fps
Synchronize Playback (Client)	2 x 1080p@30fps	4 x 1080p@30fps	4 x 1080p@30fps
Function	Slow forward / Fast forward / Loop / Single frame / E-PTZ		
Storage			
Max. Internal HDDs	1 x 3.5" HDD Max. 6TB (up to 6TB/each)		
Audio			
Compression	G.711a / G.711u / ADPCM / G.722 / G.722.1c / AAC-LC		
Bit rate	32kbps ~ 64kbps		
Audio Function	Bi-directional audio / Dumb / Mute / Broadcasting		
Alarm			
Service Alarm Triggers	Alarm input / Video lost / Motion detection / Tampering / Guard line / Defocus / Scene change / Enter guard area / Exit guard area / Object left / Object removal / Gathering / Audio surge		
System Alarm Triggers	Device disconnected / No disk / Disk error / IP Address conflict / Network disconnected / Low speed / Insufficient recording space / MAC address conflict / Insufficient snapshot space		
Alarm Events	Snapshot / Recording / PTZ preset / Buzzer / Email / Link to Client / Alarm caption / Live view in first window / Link to TV Wall / Link to secondary screen / Full screen viewing		
System			
Operating System	Embedded Linux		
User Management	Admin / User		
Log Management	User login / User operation / Alarm / Backup / Update		
Application Programming	NVR Station SDK		
Network			
Network Protocols	TCP/IP, UDP, HTTP, DHCP, DNS/DDNS, RTP/RTCP, RTSP, PPPoE, FTP, SMTP, VSIP, UPNP, SMT, IPv4, IPv6 (optional)		
Viewer Software	CMS (NVR Station) / Web / iOS app / Android app		
Max. User Access	64 Users		
Output Bandwidth	36Mbps	10 ~ 36Mbps	64Mbps
Function	NAT / Socks5 / Multiple network access / Packet loss recovery / Auto network organizing		
Network Test	Supported		
Interfaces			
Ethernet	1 x 10/100M, RJ45 interface		1 x Gigabite network port, RJ45 interface
Video Out	1 x HDMI (up to 1920 x 1080@60Hz) 1 x VGA (up to 1920 x 1080@60Hz)		
Audio In / Out	1 x RCA Line in / 1 x RCA Line out		
USB	2 x USB 2.0		
Environmental			
Operating Temperature	-10°C ~ 55°C / 14°F ~ 131°F		
Operating Humidity	10% ~ 90%		
Electrical			
Power	12V DC ± 10%		
Power Consumption	Max. 20W (HDD not included)		
Mechanical			
Weight	1.6kg / 3.52lb (HDD not included)		
Dimensions	350 x 240 x 40mm / 13.78" x 9.45" x 1.57"		

Specifications

	IPC121-Bi5N
Camera	
Image Sensor	1/1.9" Progressive Scan CMOS
Pixels	2.0 Megapixel
Min. Illumination	Color: 0.002Lux @ (F1.2, AGC ON) B/W: 0.0002Lux @ (F1.2, AGC ON)
Shutter Speed	1/7.5 ~ 1/16,000s
Day / Night	Auto (ICR) / Color / B/W
S/N Ratio	>60dB
White Balance	Auto / Manual
Gain Control	Auto / Manual
Backlight Compensation	Off / BLC / HLC
Lens	
Mount Type	C / CS
Focal Length	3.6 ~ 10mm @ F1.5 manual varifocal lens
Video	
Compression	H.264
Image Resolution	Main stream: 1080p Secondary stream: D1
Frame Rate	Main stream: 1080p@25fps Secondary stream: D1@25fps
Bitrate	32kbps ~ 16Mbps
Bitrate Control	VBR / CBR
Multi-stream	Supported
Caption	Date and time / Alarm / Customized
Video Freeze	Support
ROI	Support
Digital Noise Reduction	3D noise reduction
Guard Zone	
Guard Zone Level	up to 3 levels, up to 8 zones per level
Regional Shield	up to 8 shield areas
Guard Scheme	Disable / Always / Scheduled
Alarm Caption	Customized alarm caption supported
Intelligent Tracking	
Distance	up to 120m
Target Detection	up to 60 targets simultaneously
Tracking Mode	Automatic / Semi-automatic
PTZ Camera Model	IPC421-i020-N1 / IPC425-i020-N supported
PTZ Camera Number	up to 3 PTZ cameras supported
Target Tracking	up to 3 simultaneously depending on the number of PTZ cameras
Target Tracked Time	Min. 5s / Customized
Network	
Network Protocols	TCP/IP, UDP, HTTP, DHCP, DNS/DDNS, RTP/RTCP, RTSP, PPPoE, FTP, VSIP, UPnP, 802.1x, NAT, QoS, SMTP, IPv4, IPv6 (optional)
User Interface	IPC Control (IE, firefox, Chrome)
Max. User Access	Max. 10 Users (includes 2 internal)
Application Programming	Onvif (Profile S), GB/T 28181-2011, API, CGI
Automatic Network Replenishment (ANR)	Supported
Interfaces	
Ethernet	10/100M, RJ45 interface
Audio In / Out	1 x Line in / 1 x Line out
Control	3 x RS485, 1 x RS232
Alarm In / Out	2 x Input / 1 x Output
Video Out	1 x BNC, 1.0V [p-p] / 75Ω
Memory Slot	SD card slot, support up to 128GB
Environmental	
Operating Temperature	-40°C ~ 70°C / -40°F ~ 158°F
Operating Humidity	10% ~ 95%
Electrical	
Power	12V DC ± 10% / 2A
Power Consumption	Max. 20W
Mechanical	
Weight	0.65kg / 1.4lb (Gross Weight)
Dimensions	168.9 x 75.5 x 66.4mm / 6.65" x 2.98" x 2.62"

	IPC425-i020-N
Camera	
Image Sensor	1/2.8" Progressive Scan CMOS
Pixels	2.0 Megapixel
Min. Illumination	Color: 0.005Lux @ (F1.4, AGC ON) B/W: 0.0005Lux @ (F1.4, AGC ON)
Shutter Speed	1 ~ 1/4,000s
Day / Night	Auto (ICR) / Color / B/W
S/N Ratio	>52dB
White Balance	Auto / Manual
Gain Control	Auto / Manual
Backlight Compensation	Off / BLC / WDR
Lens	
Focal Length	4.4 ~ 132mm, 30x
Zoom Speed	Approx 3s (Optical)
Angle of View	63.4° ~ 2.3° (Wide~Tele)
Min. Object Distance	300 ~ 1500mm (Wide~Tele)
Max. Aperture Ratio	F1.4 (Wide) / F4.6 (Tele)
Focus Control	Auto / Manual / Semi-Automatic
Infrared	
IR LED	12pcs IR LED Array
IR Distance	120 ~ 180m
IR Intensity	Automatically adjust according to zoom ratio
Pan and Tilt	
Pan / Tilt Range	360° Endless / -15° ~ 90°
Pan / Tilt Speed	Pan manual speed: 0.1° ~ 200°/s; Pan preset speed: 220°/s Tilt manual speed: 0.1° ~ 150°/s; Tilt preset speed: 200°/s
Proportional Zoom	Pan / Tilt speed can be adjusted automatically according to zoom multiples
Preset	256
Power-off Memory	Power-off memory / Power-on recovery
Auto Guard	Supported
PT Limit	Manual / Scan / Pan
3D Positioning	PTZ control with mouse click and drag
Wiper	Supported
Video	
Compression	H.264
Image Resolution	Main stream: 1080p Secondary stream: D1
Frame Rate	Main stream: 1080p@25fps Secondary stream: D1@25fps
Bitrate	32kbps ~ 16Mbps
Bitrate Control	VBR / CBR
Multi-stream	Supported
Caption	Date and time / Alarm / Direction / Customized
Motion Detection	Supported
Video Freeze	Supported
ROI	Supported
Digital Noise Reduction	3D noise reduction
Image Flip	Flip / Mirror
Recognitive Functions	
Target Capturing Mode	Automatic
Captured Picture No.	1 ~ 5
Target Characters	Type / Time of appear / Time of left / Direction / Color / Speed level / Size level
Network	
Network Protocols	TCP/IP, UDP, HTTP, DHCP, DNS/DDNS, RTP/RTCP, RTSP, PPPoE, FTP, VSIP, UPnP, 802.1x, NAT, QoS, SMTP, IPv4, IPv6 (optional)
User Interface	IPC Control (IE, firefox, Chrome)
Max. User Access	Max. 10 Users (includes 2 internal)
Application Programming	Onvif (Profile S), GB/T 28181-2011, API, CGI
Automatic Network Replenishment (ANR)	Supported
Alarm	
Alarm Triggers	Network disconnect / Motion detection
Alarm Events	Alarm report / Text overlay / External output / Email notice
Interfaces	
Ethernet	10/100M, RJ45 interface
Audio In / Out	1 x Line in / 1 x Line out
Control	1 x RS485
Alarm In / Out	4 x Input / 2 x Output
Video Out	1 x BNC, 1.0V [p-p] / 75Ω
Memory Slot	SD card slot, support up to 128GB
Environmental	
Operating Temperature	-40°C ~ 70°C / -40°F ~ 158°F
Operating Humidity	10% ~ 95%
Protection Level	IP66, TVS 6000V lightning protection, surge protection and voltage transient protection
Electrical	
Power	24V AC / 4A (Power adapter included)
Power Consumption	Max. 60W (Heater on & IR on)
Mechanical	
Weight	8kg / 17.6lb (Gross Weight)
Dimensions	φ214 × 379mm / φ8.43" × 14.92"

NVR1825-HD

2 Bay Commercial Network Video Recorder



Features

High-performance

- Up to 4 x 1080p@30fps / 9 x 720p@30fps video decoding capability
- Up to 32 channels and 1080p supported
- Up to 160Mbps incoming bandwidth
- Up to 110Mbps output bandwidth
- Max. 2 HDDs up to 12TB storage

Small size

- 1.6Kg / 3.52lb
- 350 x 240 x 40mm / 13.78" x 9.45" x 1.57"

Easy to install

- Automatic network organizing
- Built-in DHCP server

High reliability

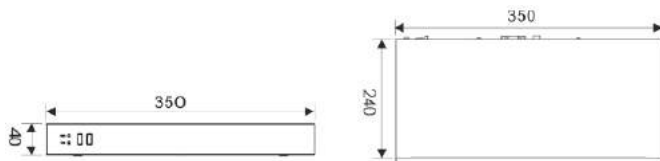
- Embedded Linux
- Low power consumption
- Supports Packet Loss Recovery (PLR)

Abundant functions and features

- HDMI/VGA simultaneously output different content (-16HD, -32HD)
- E-Map, TV-Wall supported
- Bi-directional audio, Broadcasting
- NAT, Socks5
- Alarm management
- Free CMS (NVR Station), supports 128 NVR simultaneously
- CMS supports 6 screens simultaneously (4 x Live viewing, 1 x E-Map, 1 x TV-Wall)

Dimensions

Units:mm



Specifications

	NVR1825-4HD	NVR1825-9HD	NVR1825-16HD	NVR1825-32HD
Video/Audio Input				
IP Camera Input	4 channel	9 channel	16 channel	32 channel
Resolution	1080p, UXGA, 960p, 720p, XGA, SVGA, D1, CIF, QCIF			
Compression	H.264			
Protocols	Onvif, RTSP, VSIP			
Incoming Bandwidth	20Mbps	45Mbps	80Mbps	160Mbps
Live Viewing				
Local Display	1 x HDMI, 1 x VGA, simultaneously output same content	1 x HDMI, 1 x VGA, simultaneously output different content		
Multi Screen Display Local monitor	1, 4	1, 4, 9, 1+4, 1+8	Main / Secondary: 1/1, 4/1, 9/1, 15/1, 16/1 Main / Secondary: 16/1, 36/1, 1+4/1, 1+8/1, 1+9/1, 1+15/1, 4/9, 9/4, 9/9	Main / Secondary: 1/1, 4/1, 9/1, 15/1, 16/1, 36/1, 1+4/1, 1+8/1, 1+9/1, 1+15/1, 4/9, 9/4, 9/9
Multi Screen Display Client	up to 4 screen simultaneously: 1, 3, 4, 9, 12, 16, 20, 25, 30, 36, 42, 49, 56, 63, 64 1+5, 1+7, 1+8, 1+9, 1+11, 1+15, 1+16, 1+33, 1+47, 1+48			
E-Map Function	Live Viewing in E-Map (NVR Station) E-PTZ / Scheme / Polling / TV-Wall (optional with decoder)			
Recording				
Resolution	1080p, UXGA, 960p, 720p, XGA, SVGA, D1, CIF, QCIF			
Mode	Manual / Continuous / Schedule / Event (Pre / Post)			
Event Trigger	Supported			
Tag	Supported			
Search & Playback				
Search Mode	Date and time (Calendar) / Event			
Resolution	1080p, UXGA, 960p, 720p, XGA, SVGA, D1, CIF, QCIF			
Playback (Local Monitor)	1 x 1080p@30fps / 4 x 720p@30fps	1 x 1080p@30fps / 4 x 720p@30fps	4 x 1080p@30fps / 9 x 720p@30fps	4 x 1080p@30fps / 9 x 720p@30fps
Playback (Client)	2 x 1080p@30fps	4 x 1080p@30fps	5 x 1080p@30fps	5 x 1080p@30fps
Synchronize Playback (Local Monitor)	4 x 720p@30fps	4 x 720p@30fps	4 x 1080p@30fps / 9 x 720p@30fps	4 x 1080p@30fps / 9 x 720p@30fps
Synchronize Playback (Client)	2 x 1080p@30fps	4 x 1080p@30fps	4 x 1080p@30fps	4 x 1080p@30fps
Function	Slow forward / Fast forward / Loop / Single frame / E-PTZ			
Storage				
Max. Internal HDDs	2 x 3.5" HDD Max. 12TB (up to 6TB/each)			
Function	Disk dormancy			
Audio				
Compression	G.711a / G.711u / ADPCM / G.722 / G.722.1c / AAC-LC			
Bit rate	32kbps ~ 64kbps			
Audio Function	Bi-directional audio / Dumb / Mute / Broadcasting			
Alarm				
Service Alarm Triggers	Alarm input / Video lost / Motion detection / Tampering / Guard line / Defocus / Scene change / Enter guard area / Exit guard area / Object left / Object removal / Gathering / Audio surge			
System Alarm Triggers	Device disconnected / No disk / Disk error / IP Address conflict / Network disconnected / Low speed / Insufficient recording space / MAC address conflict / Insufficient snapshot space			
Alarm Events	Snapshot / Recording / PTZ preset / Buzzer / Email / Link to Client / Alarm caption / Live view in first window / Link to TV Wall / Link to secondary screen / Full screen viewing			
System				
Operating System	Embedded Linux			
User Management	Admin / User			
Log Management	User login / User operation / Alarm / Backup / Update			
Application Programming	NVR Station SDK			
Network				
Network Protocols	TCP/IP, UDP, HTTP, DHCP, DNS/DDNS, RTP/RTCP, RTSP, PPPoE, FTP, SMTP, VSIP, UPNP, SMTP, IPv4, IPv6 (optional)			
Viewer Software	CMS (NVR Station) / Web / iOS app / Android app			
Max. User Access	64 Users			
Output Bandwidth	36Mbps	10 ~ 36Mbps	64Mbps	12 ~ 110Mbps
Function	NAT / Socks5 / Multiple network access / Packet loss recovery / Auto network organizing			
Network Test	Supported			
Interfaces				
Ethernet	1 x 10/100M, RJ45 interface		1 x Gigabit network port, RJ45 interface	
Video Out	1 x HDMI (up to 1920 x 1080@60Hz)			
	1 x VGA (up to 1920 x 1080@60Hz)			
Audio In / Out	1 x RCA Line in / 1 x RCA Line out			
USB	2 x USB 2.0			
Environmental				
Operating Temperature	-10°C ~ 55°C / 14°F ~ 131°F			
Operating Humidity	10% ~ 90%			
Electrical				
Power	12V DC ± 10%			
Power Consumption	Max. 20W (HDD not included)			
Mechanical				
Weight	1.6kg / 3.52lb (HDD not included)			
Dimensions	350 x 240 x 40mm / 13.78" x 9.45" x 1.57"			

NVR1822-HDA

4 Bay Commercial Network Video Recorder



Features

High-performance, High-capacity

- 4 x 1080p@30fps / 9 x 720p@30fps video decoding capability
- 6MP video supported
- Up to 32 channels
- Up to 160Mbps incoming bandwidth
- Up to 110Mbps output bandwidth
- 64 user access simultaneously
- Max. 4 HDDs up to 24TB storage

Easy to install

- Automatic network organizing
- Built-in DHCP server

High reliability

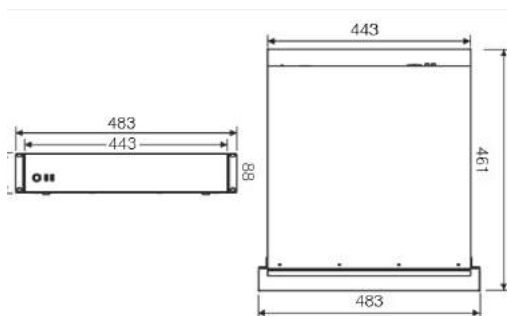
- Embedded Linux
- Low power consumption
- Supports Packet Loss Recovery (PLR)

Abundant functions and features

- HDMI/VGA simultaneously output different content
- E-Map, TV-Wall supported
- Bi-directional audio, Broadcasting
- NAT, Socks5
- Alarm management
- Free CMS (NVR Station), supports 128 NVR simultaneously
- CMS supports 6 screens simultaneously (4 x Live viewing, 1 x E-Map, 1 x TV-Wall)

Dimensions

Units:mm



Specifications

	NVR1822-9HDA	NVR1822-16HDA	NVR1822-32HDA
Video/Audio Input			
IP Camera Input	9 channel	16 channel	32 channel
Resolution	6MP, 5MP, 4MP, 3MP, 1080p, XUGA, 960p, 720p, XGA, SVGA, D1, CIF, QCIF		
Compression	H.264		
Protocols	Onvif, RTSP, VSIP		
Incoming Bandwidth	45Mbps	80Mbps	160Mbps
Live Viewing			
Local Display	1 x HDMI, 1 x VGA, simultaneously output different content		
Multi Screen Display Local monitor (Main / Secondary):	1, 4, 9, 1+4, 1+8, 1/1, 4/1, 1+4/1	1/1, 4/1, 9/1, 15/1, 16/1, 1+4/1, 1+8/1, 1+9/1, 1+15/1, 4/9, 9/4, 9/9	1/1, 4/1, 9/1, 15/1, 16/1, 36/1, 1+4/1, 1+8/1, 1+9/1, 1+15/1, 4/9, 9/4, 9/9
Multi Screen Display Client	up to 4 screen simultaneously: 1, 3, 4, 9, 12, 16, 20, 25, 30, 36, 42, 49, 56, 63, 64		
E-Map Function	1+5, 1+7, 1+8, 1+9, 1+11, 1+15, 1+16, 1+33, 1+47, 1+48		
Live Viewing in E-Map (NVR Station)	Supported		
E-PTZ / Scheme / Polling / TV-Wall (optional with decoder)	Supported		
Recording			
Resolution	6MP, 5MP, 4MP, 3MP, 1080p, XUGA, 960p, 720p, XGA, SVGA, D1, CIF, QCIF		
Mode	Manual / Continuous / Schedule / Event (Pre / Post)		
Event Trigger	Supported		
Tag	Supported		
Search & Playback			
Search Mode	Date and time (Calendar) / Event		
Resolution	6MP, 5MP, 4MP, 3MP, 1080p, XUGA, 960p, 720p, XGA, SVGA, D1, CIF, QCIF		
Playback (Local Monitor)	1 x 6MP@30fps / 4 x 1080p@30fps / 9 x 720p@30fps	1 x 6MP@30fps / 4 x 1080p@30fps / 5 x 6MP@30fps	1 x 6MP@30fps / 4 x 1080p@30fps / 9 x 720p@30fps
Playback (Client)	5 x 6MP@30fps	5 x 6MP@30fps	5 x 6MP@30fps
Synchronize Playback (Local Monitor)	4 x 1080p@30fps / 9 x 720p@30fps	4 x 1080p@30fps	4 x 1080p@30fps / 9 x 720p@30fps
Synchronize Playback (Client)	4 x 6MP@30fps	4 x 6MP@30fps	4 x 6MP@30fps
Function	Slow forward / Fast forward / Loop / Single frame / E-PTZ		
Storage			
Max. Internal HDDs	4 x 3.5" HDD		
Function	Max. 24TB (up to 6TB/each) Disk dormancy		
Audio			
Compression	G.711a / G.711u / ADPCM / G.722 / G.722.1c / AAC-LC		
Bit rate	32kbps ~ 64kbps		
Audio Function	Bi-directional audio / Dumb / Mute / Broadcasting		
Alarm			
Service Alarm Triggers	Alarm input / Video lost / Motion detection / Tampering / Guard line / Defocus / Scene change / Enter guard area / Exit guard area / Object left / Object removal / Gathering / Audio surge		
System Alarm Triggers	Device disconnected / No disk / Disk error / IP Address conflict / Network disconnected / Low speed / Insufficient recording space / MAC address conflict / Insufficient snapshot space		
Alarm Events	Snapshot / Recording / PTZ preset / Buzzer / Email / Link to Client / Alarm caption / Live view in first window / Link to TV Wall / Link to secondary screen / Full screen viewing		
System			
Operating System	Embedded Linux		
User Management	Admin / User		
Log Management	User login / User operation / Alarm / Backup / Update		
Application Programming	NVR Station SDK		
Network			
Network Protocols	TCP/IP, UDP, HTTP, DHCP, DNS/DDNS, RTP/RTCP, RTSP, PPPoE, FTP, SNTp, VSIP, UPNP, SMTP, IPv4, IPv6 (optional)		
Viewer Software	CMS (NVR Station) / Web / iOS app / Android app		
Max. User Access	64 Users		
Output Bandwidth	36Mbps	64Mbps	12 ~ 110Mbps
Function	NAT / Socks5 / Multiple network access / Packet loss recovery / Auto network organizing		
Network Test	Supported		
Interfaces			
Ethernet	1 x Gigabyte network port, RJ45 interface		
Video Out	1 x HDMI (up to 1920 x 1080@60Hz)		
Audio In / Out	1 x VGA (up to 1920 x 1080@60Hz)		
USB	1 x RCA Line in / 1 x RCA Line out 2 x USB 2.0		
Environmental			
Operating Temperature	-10°C ~ 55°C / 14°F ~ 131°F		
Operating Humidity	10% ~ 90%		
Electrical			
Power	100 ~ 240V AC, 50 ~ 60Hz		
Power Consumption	Max. 30W (HDD not included)		
Mechanical			
Weight	7.6kg / 16.72lb (HDD not included)		
Dimensions	443 x 460 x 88mm / 17.44" x 18.11" x 3.46"		

NVR1822-HD

8 Bay Commercial Network Video Recorder



Features

High-performance, High-capacity

- 4 x 1080p@30fps / 9 x 720p@30fps video decoding capability
- 6MP video supported
- Up to 32 channels
- Up to 160Mbps incoming bandwidth
- Up to 110Mbps output bandwidth
- 64 user access simultaneously
- Max. 8 HDDs up to 48TB storage

Easy to install

- Automatic network organizing
- Built-in DHCP server

High reliability

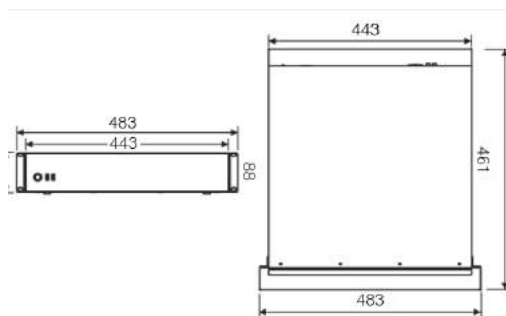
- Embedded Linux
- Low power consumption
- Supports Packet Loss Recovery (PLR)

Abundant functions and features

- HDMI/VGA simultaneously output different content
- E-Map, TV-Wall supported
- Bi-directional audio, Broadcasting
- NAT, Socks5
- Alarm management
- Free CMS (NVR Station), supports 128 NVR simultaneously
- CMS supports 6 screens simultaneously (4 x Live viewing, 1 x E-Map, 1 x TV-Wall)

Dimensions

Units:mm



Specifications

	NVR1822-9HD	NVR1822-16HD	NVR1822-32HD
Video/Audio Input			
IP Camera Input	9 channel	16 channel	32 channel
Resolution	6MP, 5MP, 4MP, 3MP, 1080p, UXGA, 960p, 720p, XGA, SVGA, D1, CIF, QCIF		
Compression	H.264		
Protocols	Onvif, RTSP, VSIP		
Incoming Bandwidth	45Mbps	80Mbps	160Mbps
Live Viewing			
Local Display	1 x HDMI, 1 x VGA, simultaneously output different content		
Multi Screen Display Local monitor (Main / Secondary):	1, 4, 9, 1+4, 1+8, 1/1, 4/1, 1+4/1	1/1, 4/1, 9/1, 15/1, 16/1, 1+4/1, 1+8/1, 1+9/1, 1+15/1, 4/9, 9/4, 9/9	1/1, 4/1, 9/1, 15/1, 16/1, 36/1, 1+4/1, 1+8/1, 1+9/1, 1+15/1, 4/9, 9/4, 9/9
Multi Screen Display Client	up to 4 screen simultaneously: 1, 3, 4, 9, 12, 16, 20, 25, 30, 36, 42, 49, 56, 63, 64 1+5, 1+7, 1+8, 1+9, 1+11, 1+15, 1+16, 1+33, 1+47, 1+48		
E-Map Function	Live Viewing in E-Map (NVR Station) E-PTZ / Scheme / Polling / TV-Wall (optional with decoder)		
Recording			
Resolution	6MP, 5MP, 4MP, 3MP, 1080p, UXGA, 960p, 720p, XGA, SVGA, D1, CIF, QCIF		
Mode	Manual / Continuous / Schedule / Event (Pre / Post)		
Event Trigger	Supported		
Tag	Supported		
Search & Playback			
Search Mode	Date and time (Calendar) / Event		
Resolution	6MP, 5MP, 4MP, 3MP, 1080p, UXGA, 960p, 720p, XGA, SVGA, D1, CIF, QCIF		
Playback	Local monitor: 1 x 6MP@30fps / 4 x 1080p@30fps / 9 x 720p@30fps Client: 5 x 6MP@30fps Local monitor: 4 x 1080p@30fps or 9 x 720p@30fps Client: 4 x 6MP@30fps		
Synchronize Playback	Client: 4 x 6MP@30fps		
Function	Slow forward / Fast forward / Loop / Single frame / E-PTZ		
Storage			
Max. Internal HDDs	8 x 3.5" HDD		
Function	Max. 48TB (up to 6TB/each) Disk dormancy		
Audio			
Compression	G.711a / G.711u / ADPCM / G.722 / G.722.1c / AAC-LC		
Bit rate	32kbps ~ 64kbps		
Audio Function	Bi-directional audio / Dumb / Mute / Broadcasting		
Alarm			
Service Alarm Triggers	Alarm input / Video lost / Motion detection / Tampering / Guard line / Defocus / Scene change / Enter guard area / Exit guard area / Object left / Object removal / Gathering / Audio surge		
System Alarm Triggers	Device disconnected / No disk / Disk error / IP Address conflict / Network disconnected / Low speed / Insufficient recording space / MAC address conflict / Insufficient snapshot space		
Alarm Events	Snapshot / Recording / PTZ preset / Buzzer / Email / Link to Client / Alarm caption / Live view in first window / Link to TV Wall / Link to secondary screen / Full screen viewing		
System			
Operating System	Embedded Linux		
User Management	Admin / User		
Log Management	User login / User operation / Alarm / Backup / Update		
Application Programming	NVR Station SDK		
Network			
Network Protocols	TCP/IP, UDP, HTTP, DHCP, DNS/DDNS, RTP/RTCP, RTSP, PPPoE, FTP, SNTp, VSIP, UPNP, SMTP, IPv4, IPv6 (optional)		
Viewer Software	CMS (NVR Station) / Web / iOS app / Android app		
Max. User Access	64 Users		
Output Bandwidth	36Mbps	64Mbps	12 ~ 110Mbps
Function	NAT / Socks5 / Multiple network access / Packet loss recovery / Auto network organizing		
Network Test	Supported		
Interfaces			
Ethernet	1 x Gigabite network port, RJ45 interface		
Video Out	1 x HDMI (up to 1920 x 1080@60Hz) 1 x VGA (up to 1920 x 1080@60Hz)		
Audio In / Out	1 x RCA Line in / 1 x RCA Line out		
USB	2 x USB 2.0		
Environmental			
Operating Temperature	-10°C ~ 55°C / 14°F ~ 131°F		
Operating Humidity	10% ~ 90%		
Electrical			
Power	100 ~ 240V AC, 50 ~ 60Hz		
Power Consumption	Max. 30W (HDD not included)		
Mechanical			
Weight	7.6kg / 16.72lb (HDD not included)		
Dimensions	443 x 460 x 88mm / 17.44" x 18.11" x 3.46"		

NVR1821-04A

4 Bay Professional Network Video Recorder



Features

High-performance, High-capacity

- H.265 supported
- 4 x 4K@30fps / 16 x 1080p@30fps video decoding capability
- Up to 64 channels
- Up to 320Mbps incoming bandwidth
- 256Mbps output bandwidth
- 64 user access simultaneously
- Max. 4 HDDs up to 24TB storage
- e-SATA storage supported

Easy to install

- Automatic network organizing
- Built-in DHCP server

High reliability

- Embedded Linux
- Low power consumption
- Supports Automatic Network Replenishment (ANR)
- Supports Packet Loss Recovery (PLR)
- N+1 Hot Backup

Abundant functions and features

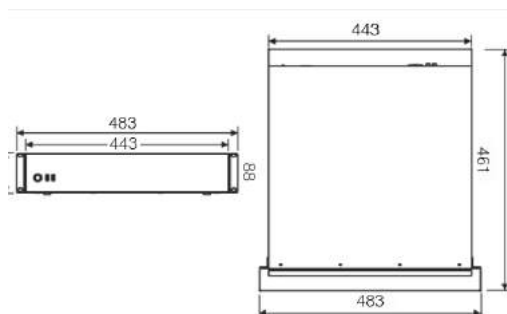
- HDMI/VGA simultaneously output different content
- E-Map, TV-Wall supported
- Bi-directional audio, Broadcasting
- NAT, Socks5
- Alarm management
- Free CMS (NVR Station), supports 128 NVR simultaneously
- CMS supports 6 screens simultaneously (4 x Live viewing, 1 x E-Map, 1 x TV-Wall)

Specifications

	NVR1821-04009A	NVR1821-04016A	NVR1821-04032A
Video/Audio Input	9 channel	16 channel	32 channel
IP Camera Input	8MP(4K), 6MP, 5MP, 4MP, 3MP, 1080p, UXGA, 960p, 720p, XGA, SVGA, D1, CIF, QCIF		
Resolution			
Compression	H.265 / H.264		
Protocols	Onvif, RTSP, VSIP		
Bitrate	64kbps ~ 16384kbps		
Incoming Bandwidth	90Mbps	160Mbps	320Mbps
Live Viewing	1 x HDMI, 1 x VGA, simultaneously output different content		
Local Display			
Multi Screen Display Local monitor (Main / Secondary):	1, 3, 4, 9, 1+4, 1+8, 1/1, 2/1, 4/1, 1+4/1	1, 3, 4, 9, 15, 16, 1+4, 1+8, 1+9, 1+15, 1/1, 2/1, 4/1, 9/1, 15/1, 16/1, 1+4/1, 1+9/1, 1+15/1, 4/9, 9/4, 9/9	1, 3, 4, 9, 15, 16, 25, 36, 1+4, 1+8, 1+9, 1+15, 1/1, 2/1, 4/1, 9/1, 15/1, 16/1, 36/1, 1+4/1, 1+8/1, 1+9/1, 1+15/1, 4/9, 9/4, 9/9, 16/16
Multi Screen Display Client	up to 4 screens simultaneously: 1, 3, 4, 9, 12, 16, 20, 25, 30, 36, 42, 49, 56, 63, 64 1+5, 1+7, 1+8, 1+9, 1+11, 1+12, 1+13, 1+15, 1+16, 1+33, 1+47, 1+48		
E-Map Function	Live Viewing in E-Map (NVR Station)		
Function	E-PTZ / Scheme / Polling / TV-Wall (optional with decoder) / Virtual channel		
Recording			
Resolution	8MP(4K), 6MP, 5MP, 4MP, 3MP, 1080p, UXGA, 960p, 720p, XGA, SVGA, D1, CIF, QCIF		
Mode	Manual / Continuous / Schedule / Event (Pre / Post)		
Event Trigger	Supported		
Tag	Supported		
Reliability	Automatic Network Replenishment (ANR)		
Search & Playback			
Search Mode	Date and time (Calendar) / Event		
Resolution	8MP(4K), 6MP, 5MP, 4MP, 3MP, 1080p, UXGA, 960p, 720p, XGA, SVGA, D1, CIF, QCIF		
Playback (Local Monitor)	4 x 4K@30fps / 9 x 1080p@30fps	4 x 4K@30fps / 16 x 1080p@30fps	
Playback (Client)	up to 16 x 4K@30fps		
Synchronize Playback (Local Monitor)	4 x 4K@30fps / 9 x 1080p@30fps	4 x 4K@30fps / 16 x 1080p@30fps	
Synchronize Playback (Client)	4 x 4K@30fps		
Function	Slow forward / Fast forward / Loop / Single frame / E-PTZ / Slice playback		
Storage			
Max. Internal HDDs	4 x 3.5" HDD		
RAID	Max. 24TB (up to 6TB/each) RAID 0/1/5/6/10		
External	IP SAN (iSCSI), up to 10 x IP SAN, Max. 100T (optional) e-SATA		
Function	Disk group / Quota / Disk dormancy		
Audio			
Compression	G.711a / G.711u / ADPCM / G.722 / G.722.1c / AAC-LC		
Bit rate	32kbps ~ 64kbps		
Audio Function	Bi-directional audio / Dumb / Mute / Broadcasting		
Alarm			
Service Alarm Triggers	Alarm input / Video lost / Motion detection / Tampering / Guard line / Defocus / Scene change / Enter guard area / Exit guard area / Object left / Object removal / Gathering / Audio surge		
System Alarm Triggers	Device disconnected / No disk / Disk error / IP Address conflict / Network disconnected / Low speed / Insufficient recording space / MAC address conflict / Insufficient snapshot space		
Alarm Events	Snapshot / Recording / PTZ preset / Buzzer / Email / Link to Client / Alarm caption / Live view in first window / Link to TV Wall / Link to secondary screen / Full screen viewing		
System			
Operating System	Embedded Linux		
User Management	Admin / User		
Log Management	User login / User operation / Alarm / Backup / Update		
Application Programming	NVR Station SDK		
Network			
Network Protocols	TCP/IP, UDP, HTTP, DHCP, DNS/DDNS, RTP/RTCP, RTSP, PPPoE, FTP, SNTp, VSIP, UPNP, SMTP, IPv4, IPv6 (optional)		
Viewer Software	CMS (NVR Station) / Web / iOS app / Android app		
Max. User Access	64 Users		
Output Bandwidth	256Mbps		
Function	NAT / Socks5 / Multiple network access / Packet loss recovery / Auto network organizing		
Network Test	Supported		
Hot Backup	N+1		
Interfaces			
Ethernet	2 x Gigabyte network port, RJ45 interface		
Video Out	1 x HDMI (up to 3840 x 2160@60Hz)		
Audio In / Out	1 x VGA (up to 1920 x 1080@60Hz)		
Alarm In / Out	1 x RCA Line in / 1 x RCA Line out		
Control	2 x Inputs / 2 x Outputs		
USB	2 x RS-485		
e-SATA	2 x USB 2.0 1x USB3.0		
Environmental			
Operating Temperature	-10°C ~ 55°C / 14°F ~ 131°F		
Operating Humidity	10% ~ 90%		
Electrical			
Power	100 ~ 240V AC, 50 ~ 60Hz		
Power Consumption	Max. 15W (HDD not included)		
Mechanical			
Weight	7.6kg / 16.72lb (HDD not included)		
Dimensions	443 x 461 x 88mm / 17.44" x 18.15" x 3.46"		

Dimensions

Units:mm



NVR1821-08A

8 Bay Professional Network Video Recorder



Features

High-performance, High-capacity

- H.265 supported
- 4 x 4K@30fps / 16 x 1080p@30fps video decoding capability
- Up to 64 channels
- Up to 320Mbps incoming bandwidth
- 256Mbps output bandwidth
- 64 user access simultaneously
- Max. 8 HDDs up to 48TB storage
- e-SATA storage supported

Easy to install

- Automatic network organizing
- Built-in DHCP server

High reliability

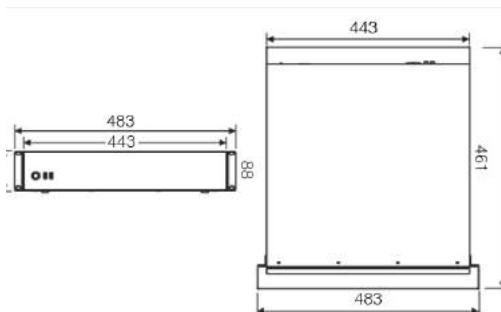
- Embedded Linux
- Low power consumption
- Supports Automatic Network Replenishment (ANR)
- Supports Packet Loss Recovery (PLR)
- N+1 Hot Backup

Abundant functions and features

- HDMI/VGA simultaneously output different content
- E-Map, TV-Wall supported
- Bi-directional audio, Broadcasting
- NAT, Socks5
- Alarm management
- Free CMS (NVR Station), supports 128 NVR simultaneously
- CMS supports 6 screens simultaneously (4 x Live viewing, 1 x E-Map, 1 x TV-Wall)

Dimensions

Units:mm



Specifications

	NVR1821-08009A	NVR1821-08016A	NVR1821-08032A	NVR1821-08064A
Video/Audio Input				
IP Camera Input	9 channel	16 channel	32 channel	64 channel
Resolution	8MP(4K), 6MP, 5MP, 4MP, 3MP, 1080p, UXGA, 960p, 720p, XGA, SVGA, D1, CIF, QCIF			
Compression	H.265 / H.264			
Protocols	Onvif, RTSP, VSIP			
Bitrate	64kbps ~ 16384kbps			
Incoming Bandwidth	90Mbps	160Mbps	320Mbps	320Mbps
Live Viewing				
Local Display	1 x HDMI, 1 x VGA, simultaneously output different content			
Multi Screen Display Local monitor (Main / Secondary):	1, 3, 4, 9, 1+4, 1+8, 1/1, 2/1, 4/1, 1+4/1	1, 3, 4, 9, 15, 16, 1+4, 1+8, 1+9, 1+15, 1/1, 2/1, 4/1, 9/1, 15/1, 16/1, 1+4/1, 1+8/1, 1+9/1, 9/4, 9/9	1, 3, 4, 9, 15, 16, 25, 36, 1+4, 1+8, 1+9, 1+15, 1/1, 2/1, 4/1, 9/1, 15/1, 16/1, 36/1, 48/1, 64/1, 1+4/1, 1+8/1, 1+9/1, 1+15/1, 4/9, 9/4, 9/9, 16/16	1, 3, 4, 9, 15, 16, 25, 36, 48, 64, 1+4, 1+8, 1+9, 1+15, 1/1, 2/1, 4/1, 9/1, 15/1, 16/1, 36/1, 48/1, 64/1, 1+4/1, 1+8/1, 1+9/1, 1+15/1, 4/9, 9/4, 9/9
Multi Screen Display Client	up to 4 screens simultaneously: 1, 3, 4, 9, 12, 16, 20, 25, 30, 36, 42, 49, 56, 63, 64 1+5, 1+7, 1+8, 1+9, 1+11, 1+12, 1+13, 1+15, 1+16, 1+33, 1+47, 1+48			
E-Map Function	Live Viewing in E-Map (NVR Station) E-PTZ / Scheme / Polling / TV-Wall (optional with decoder) / Virtual channel			
Recording				
Resolution	8MP(4K), 6MP, 5MP, 4MP, 3MP, 1080p, UXGA, 960p, 720p, XGA, SVGA, D1, CIF, QCIF			
Mode	Manual / Continuous / Schedule / Event (Pre / Post)			
Event Trigger	Supported			
Tag	Supported			
Reliability	Automatic Network Replenishment (ANR)			
Search & Playback				
Search Mode	Date and time (Calendar) / Event			
Resolution	8MP(4K), 6MP, 5MP, 4MP, 3MP, 1080p, UXGA, 960p, 720p, XGA, SVGA, D1, CIF, QCIF			
Playback (Local Monitor)	4 x 4K@30fps / 9 x 1080p@30fps			
Playback (Client)	4 x 4K@30fps / 16 x 1080p@30fps			
Synchronize Playback (Local Monitor)	4 x 4K@30fps / 9 x 1080p@30fps			
Synchronize Playback (Client)	4 x 4K@30fps			
Function	Slow forward / Fast forward / Loop / Single frame / E-PTZ / Slice playback			
Storage				
Max. Internal HDDs	8 x 3.5" HDD			
RAID	Max. 48TB (up to 6TB/each) RAID 0/1/5/6/10			
External	IP SAN (iSCSI), up to 10 x IP SAN, Max. 100T (optional) e-SATA			
Function	Disk group / Quota / Disk dormancy			
Audio				
Compression	G.711a / G.711u / ADPCM / G.722 / G.722.1c / AAC-LC			
Bit rate	32kbps ~ 64kbps			
Audio Function	Bi-directional audio / Dumb / Mute / Broadcasting			
Alarm				
Service Alarm Triggers	Alarm input / Video lost / Motion detection / Tampering / Guard line / Defocus / Scene change / Enter guard area / Exit guard area / Object left / Object removal / Gathering / Audio surge			
System Alarm Triggers	Device disconnected / No disk / Disk error / IP Address conflict / Network disconnected / Low speed / Insufficient recording space / MAC address conflict / Insufficient snapshot space			
Alarm Events	Snapshot / Recording / PTZ preset / Buzzer / Email / Link to Client / Alarm caption / Live view in first window / Link to TV Wall / Link to secondary screen / Full screen viewing			
System				
Operating System	Embedded Linux			
User Management	Admin / User			
Log Management	User login / User operation / Alarm / Backup / Update			
Application Programming	NVR Station SDK			
Network				
Network Protocols	TCP/IP, UDP, HTTP, DHCP, DNS/DDNS, RTP/RTCP, RTSP, PPPoE, FTP, SNTp, VSIP, UPNP, SMTP, IPv4, IPv6 (optional)			
Viewer Software	CMS (NVR Station) / Web / iOS app / Android app			
Max. User Access	64 Users			
Output Bandwidth	256Mbps			
Function	NAT / Socks5 / Multiple network access / Packet loss recovery / Auto network organizing			
Network Test	Supported			
Hot Backup	N+1			
Interfaces				
Ethernet	2 x Gigabyte network port, RJ45 interface			
Video Out	1 x HDMI (up to 3840 x 2160@60Hz) 1 x VGA (up to 1920 x 1080@60Hz)			
Audio In / Out	1 x RCA Line in / 1 x RCA Line out			
Alarm In / Out	2 x Inputs / 2 x Outputs			
Control	2 x RS-485			
USB	2 x USB 2.0 1x USB3.0			
e-SATA	1 x e-SATA			
Environmental				
Operating Temperature	-10°C ~ 55°C / 14°F ~ 131°F			
Operating Humidity	10% ~ 90%			
Electrical				
Power	100 ~ 240V AC, 50 ~ 60Hz			
Power Consumption	Max. 15W (HDD not included)			
Mechanical				
Weight	7.6kg / 16.72lb (HDD not included)			
Dimensions	443 x 461 x 88mm / 17.44" x 18.15" x 3.46"			

NVR2821-03A/V

3 Bay Dedicated Network Video Recorder



Features

Excellent Video Transmission

- KWTP protocol for 4G / satellite transmission, improves the video stream continuity under unstable network conditions
- H.265 video codec / Virtual channel, saves up to 50% bandwidth and storage

High-performance, High-capacity

- H.265 supported
- 4 x 4K@30fps / 16 x 1080p@30fps video decoding capability
- Up to 32 channels
- Up to 320Mbps incoming bandwidth
- 256Mbps output bandwidth
- 64 user access simultaneously
- Max. 3 HDDs up to 6TB storage

High Protection

- Anti-Salt / Moisture-Proof / Fungus-Proof / HDD Shock-proof

High reliability

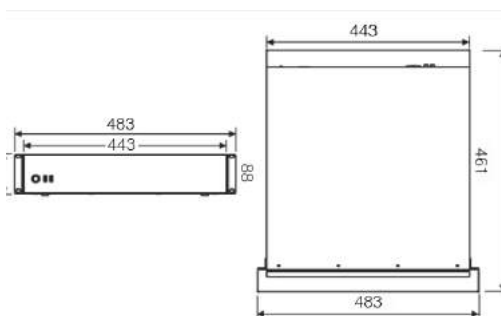
- Embedded Linux
- Low power consumption
- Supports Automatic Network Replenishment (ANR)
- Supports Packet Loss Recovery (PLR)
- N+1 Hot Backup

Abundant functions and features

- HDMI/VGA simultaneously output different content
- E-Map, TV-Wall supported
- Bi-directional audio, Broadcasting
- NAT, Socks5
- Alarm management
- Free CMS (NVR Station), supports 128 NVR simultaneously
- CMS supports 6 screens simultaneously (4 x Live viewing, 1 x E-Map, 1 x TV-Wall)

Dimensions

Units:mm



Specifications

	NVR2821-03009A/V	NVR2821-03016A/V	NVR2821-03032A/V
Video/Audio Input			
IP Camera Input	9 channel	16 channel	32 channel
Resolution	8MP(4K), 6MP, 5MP, 4MP, 3MP, 1080p, UXGA, 960p, 720p, XGA, SVGA, D1, CIF, QCIF		
Compression	H.265 / H.264		
Protocols	Onvif, RTSP, VSIP		
Bitrate	64kbps ~ 16384kbps		
Incoming Bandwidth	90Mbps	160Mbps	320Mbps
Live Viewing			
Local Display	1 x HDMI, 1 x VGA, simultaneously output different content		
Multi Screen Display Local monitor (Main / Secondary):	1, 3, 4, 9, 1+4, 1+8, 1/1, 2/1, 4/1, 1+4/1	1, 3, 4, 9, 15, 16, 1+4, 1+8, 1+9, 1+15, 1/1, 2/1, 4/1, 9/1, 15/1, 16/1, 1+4/1, 1+9/1, 1+15/1, 4/9, 9/4, 9/9	1, 3, 4, 9, 15, 16, 25, 36, 1+4, 1+8, 1+9, 1+15, 1/1, 2/1, 4/1, 9/1, 15/1, 16/1, 36/1, 1+4/1, 1+8/1, 1+9/1, 1+15/1, 4/9, 9/4, 9/9, 16/16
Multi Screen Display Client	up to 4 screens simultaneously: 1, 3, 4, 9, 12, 16, 20, 25, 30, 36, 42, 49, 56, 63, 64 1+5, 1+7, 1+8, 1+9, 1+11, 1+12, 1+13, 1+15, 1+16, 1+33, 1+47, 1+48		
E-Map Function	Live Viewing in E-Map (NVR Station)		
Recording	E-PTZ / Scheme / Polling / TV-Wall (optional with decoder) / Virtual channel		
Resolution	8MP(4K), 6MP, 5MP, 4MP, 3MP, 1080p, UXGA, 960p, 720p, XGA, SVGA, D1, CIF, QCIF		
Mode	Manual / Continuous / Schedule / Event (Pre / Post)		
Event Trigger	Supported		
Tag	Supported		
Reliability	Automatic Network Replenishment (ANR)		
Search & Playback			
Search Mode	Date and time (Calendar) / Event		
Resolution	8MP(4K), 6MP, 5MP, 4MP, 3MP, 1080p, UXGA, 960p, 720p, XGA, SVGA, D1, CIF, QCIF		
Playback (Local Monitor)	4 x 4K@30fps / 9 x 1080p@30fps		
Playback (Client)	4 x 4K@30fps / 16 x 1080p@30fps		
Synchronize Playback (Local Monitor)	4 x 4K@30fps / 9 x 1080p@30fps		
Synchronize Playback (Client)	4 x 4K@30fps		
Function	Slow forward / Fast forward / Loop / Single frame / E-PTZ / Slice playback		
Storage			
Max. Internal HDDs	3 x 2.5" HDD		
RAID	Max. 6TB (up to 2TB/each) RAID 0/1/5 (optional)		
External	IP SAN (iSCSI), up to 10 x IP SAN, Max. 100T (optional)		
Function	e-SATA Disk group / Quota / Disk dormancy		
Audio			
Compression	G.711a / G.711u / ADPCM / G.722 / G.722.1c / AAC-LC		
Bit rate	32kbps ~ 64kbps		
Audio Function	Bi-directional audio / Dumb / Mute / Broadcasting		
Alarm			
Service Alarm Triggers	Alarm input / Video lost / Motion detection / Tampering / Guard line / Defocus / Scene change / Enter guard area / Exit guard area / Object left / Object removal / Gathering / Audio surge		
System Alarm Triggers	Device disconnected / No disk / Disk error / IP Address conflict / Network disconnected / Low speed / Insufficient recording space / MAC address conflict / Insufficient snapshot space		
Alarm Events	Snapshot / Recording / PTZ preset / Buzzer / Email / Link to Client / Alarm caption / Live view in first window / Link to TV Wall / Link to secondary screen / Full screen viewing		
System			
Operating System	Embedded Linux		
User Management	Admin / User		
Log Management	User login / User operation / Alarm / Backup / Update		
Application Programming	NVR Station SDK		
Network			
Network Protocols	TCP/IP, UDP, HTTP, DHCP, DNS/DDNS, RTP/RTCP, RTSP, PPPoE, FTP, SNTp, VSIP, UPNP, SMTP, IPv4, IPv6 (optional), KWTP		
Viewer Software	CMS (NVR Station) / Web / iOS app / Android app		
Max. User Access	64 Users		
Output Bandwidth	256Mbps		
Function	NAT / Socks5 / Multiple network access / Packet loss recovery / Auto network organizing		
Network Test	Supported		
Hot Backup	N+1		
Interfaces			
Ethernet	2 x Gigabyte network port, RJ45 interface		
Video Out	1 x HDMI (up to 3840 x 2160@60Hz) 1 x VGA (up to 1920 x 1080@60Hz)		
Audio In / Out	1 x RCA Line in / 1 x RCA Line out		
Alarm In / Out	2 x Inputs / 2 x Outputs		
Control	2 x RS-485		
USB	2 x USB 2.0 1x USB3.0		
e-SATA	1 x e-SATA		
Environmental			
Operating Temperature	-10°C ~ 55°C / 14°F ~ 131°F		
Operating Humidity	10% ~ 90%		
Protection Level	Anti-Salt / Moisture-Proof / Fungus-Proof / HDD Shock-proof		
Electrical			
Power	100 ~ 240V AC, 50 ~ 60Hz		
Power Consumption	Max. 15W (HDD not included)		
Mechanical			
Weight	7.6kg / 16.72lb (HDD not included)		
Dimensions	443 x 461 x 88mm / 17.44" x 18.15" x 3.46"		

NVR2821-06A/V

6 Bay Dedicated Network Video Recorder



Features

Excellent Video Transmission

- KWTP protocol for 4G / satellite transmission, improves the video stream continuity under unstable network conditions
- H.265 video codec / Virtual channel, saves up to 50% bandwidth and storage

High-performance, High-capacity

- H.265 supported
- 4 x 4K@30fps / 16 x 1080p@30fps video decoding capability
- Up to 32 channels
- Up to 320Mbps incoming bandwidth
- 256Mbps output bandwidth
- 64 user access simultaneously
- Max. 6 HDDs up to 12TB storage

High Protection

- Anti-Salt / Moisture-Proof / Fungus-Proof / HDD Shock-proof

High reliability

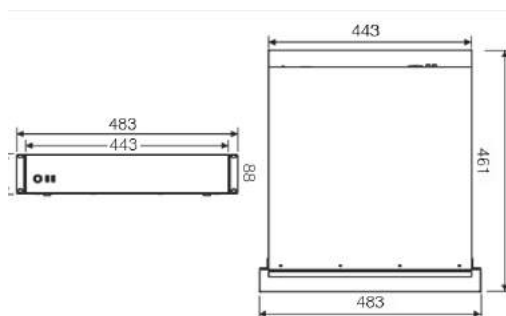
- Embedded Linux
- Low power consumption
- Supports Automatic Network Replenishment (ANR)
- Supports Packet Loss Recovery (PLR)
- N+1 Hot Backup

Abundant functions and features

- HDMI/VGA simultaneously output different content
- E-Map, TV-Wall supported
- Bi-directional audio, Broadcasting
- NAT, Socks5
- Alarm management
- Free CMS (NVR Station), supports 128 NVR simultaneously
- CMS supports 6 screens simultaneously (4 x Live viewing, 1 x E-Map, 1 x TV-Wall)

Dimensions

Units:mm



Specifications

	NVR2821-06009A/V	NVR2821-06016A/V	NVR2821-06032A/V
Video/Audio Input			
IP Camera Input	9 channel	16 channel	32 channel
Resolution	8MP(4K), 6MP, 5MP, 4MP, 3MP, 1080p, UXGA, 960p, 720p, XGA, SVGA, D1, CIF, QCIF		
Compression	H.265 / H.264		
Protocols	Onvif, RTSP, VSIP		
Bitrate	64kbps ~ 16384kbps		
Incoming Bandwidth	90Mbps	160Mbps	320Mbps
Live Viewing			
Local Display	1 x HDMI, 1 x VGA, simultaneously output different content		
Multi Screen Display Local monitor (Main / Secondary):	1, 3, 4, 9, 1+4, 1+8, 1/1, 2/1, 4/1, 1+4/1	1, 3, 4, 9, 15, 16, 1+4, 1+8, 1+9, 1+15, 1/1, 2/1, 4/1, 9/1, 15/1, 16/1, 1+4/1, 1+9/1, 1+15/1, 4/9, 9/4, 9/9	1, 3, 4, 9, 15, 16, 25, 36, 1+4, 1+8, 1+9, 1+15, 1/1, 2/1, 4/1, 9/1, 15/1, 16/1, 36/1, 1+4/1, 1+8/1, 1+9/1, 1+15/1, 4/9, 9/4, 9/9, 16/16
Multi Screen Display Client	up to 4 screens simultaneously: 1, 3, 4, 9, 12, 16, 20, 25, 30, 36, 42, 49, 56, 63, 64 1+5, 1+7, 1+8, 1+9, 1+11, 1+12, 1+13, 1+15, 1+16, 1+33, 1+47, 1+48		
E-Map Function	Live Viewing in E-Map (NVR Station)		
Recording	E-PTZ / Scheme / Polling / TV-Wall (optional with decoder) / Virtual channel		
Resolution	8MP(4K), 6MP, 5MP, 4MP, 3MP, 1080p, UXGA, 960p, 720p, XGA, SVGA, D1, CIF, QCIF		
Mode	Manual / Continuous / Schedule / Event (Pre / Post)		
Event Trigger	Supported		
Tag	Supported		
Reliability	Automatic Network Replenishment (ANR)		
Search & Playback			
Search Mode	Date and time (Calendar) / Event		
Resolution	8MP(4K), 6MP, 5MP, 4MP, 3MP, 1080p, UXGA, 960p, 720p, XGA, SVGA, D1, CIF, QCIF		
Playback (Local Monitor)	4 x 4K@30fps / 9 x 1080p@30fps		4 x 4K@30fps / 16 x 1080p@30fps
Playback (Client)	up to 16 x 4K@30fps		
Synchronize Playback (Local Monitor)	4 x 4K@30fps / 9 x 1080p@30fps		4 x 4K@30fps / 16 x 1080p@30fps
Synchronize Playback (Client)	4 x 4K@30fps		
Function	Slow forward / Fast forward / Loop / Single frame / E-PTZ / Slice playback		
Storage			
Max. Internal HDDs	6 x 2.5" HDD		
RAID	Max. 12TB (up to 2TB/each) RAID 0/1/5 (optional)		
External	IP SAN (iSCSI), up to 10 x IP SAN, Max. 100T (optional)		
Function	e-SATA Disk group / Quota / Disk dormancy		
Audio			
Compression	G.711a / G.711u / ADPCM / G.722 / G.722.1c / AAC-LC		
Bit rate	32kbps ~ 64kbps		
Audio Function	Bi-directional audio / Dumb / Mute / Broadcasting		
Alarm			
Service Alarm Triggers	Alarm input / Video lost / Motion detection / Tampering / Guard line / Defocus / Scene change / Enter guard area / Exit guard area / Object left / Object removal / Gathering / Audio surge		
System Alarm Triggers	Device disconnected / No disk / Disk error / IP Address conflict / Network disconnected / Low speed / Insufficient recording space / MAC address conflict / Insufficient snapshot space		
Alarm Events	Snapshot / Recording / PTZ preset / Buzzer / Email / Link to Client / Alarm caption / Live view in first window / Link to TV Wall / Link to secondary screen / Full screen viewing		
System			
Operating System	Embedded Linux		
User Management	Admin / User		
Log Management	User login / User operation / Alarm / Backup / Update		
Application Programming	NVR Station SDK		
Network			
Network Protocols	TCP/IP, UDP, HTTP, DHCP, DNS/DDNS, RTP/RTCP, RTSP, PPPoE, FTP, SNTp, VSIP, UPNP, SMTP, IPv4, IPv6 (optional), KWTP		
Viewer Software	CMS (NVR Station) / Web / iOS app / Android app		
Max. User Access	64 Users		
Output Bandwidth	256Mbps		
Function	NAT / Socks5 / Multiple network access / Packet loss recovery / Auto network organizing		
Network Test	Supported		
Hot Backup	N+1		
Interfaces			
Ethernet	2 x Gigabyte network port, RJ45 interface		
Video Out	1 x HDMI (up to 3840 x 2160@60Hz) 1 x VGA (up to 1920 x 1080@60Hz)		
Audio In / Out	1 x RCA Line in / 1 x RCA Line out		
Alarm In / Out	2 x Inputs / 2 x Outputs		
Control	2 x RS-485		
USB	2 x USB 2.0 1x USB3.0		
e-SATA	1 x e-SATA		
Environmental			
Operating Temperature	-10°C ~ 55°C / 14°F ~ 131°F		
Operating Humidity	10% ~ 90%		
Protection Level	Anti-Salt / Moisture-Proof / Fungus-Proof / HDD Shock-proof		
Electrical			
Power	100 ~ 240V AC, 50 ~ 60Hz		
Power Consumption	Max. 15W (HDD not included)		
Mechanical			
Weight	7.6kg / 16.72lb (HDD not included)		
Dimensions	443 x 461 x 88mm / 17.44" x 18.15" x 3.46"		

NVR2860E-08A

8 Bay RAID Professional Network Video Recorder



Features

High-performance, High-capacity

- H.265 supported
- 4 x 4K@30fps / 16 x 1080p@30fps video decoding capability
- Up to 64 channels
- Up to 320Mbps incoming bandwidth
- 256Mbps output bandwidth
- 64 user access simultaneously
- Max. 8 HDDs up to 48TB storage
- e-SATA storage supported

Easy to install

- Automatic network organizing
- Built-in DHCP server

High reliability

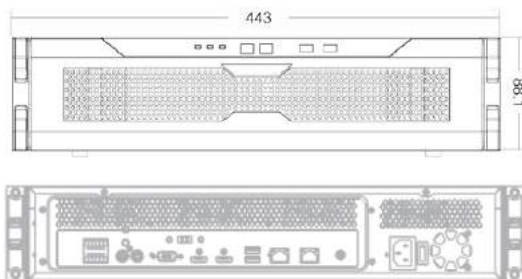
- Embedded Linux
- RAID 0/1/5/6/10
- Supports Automatic Network Replenishment (ANR)
- Supports Packet Loss Recovery (PLR)
- N+1 Hot Backup

Abundant functions and features

- HDMI/VGA simultaneously output different content
- E-Map, TV-Wall supported
- Bi-directional audio, Broadcasting
- NAT, Socks5
- Alarm management
- Free CMS (NVR Station), supports 128 NVR simultaneously
- CMS supports 6 screens simultaneously (4 x Live viewing, 1 x E-Map, 1 x TV-Wall)

Dimensions

Units:mm



Specifications

	NVR2860E-08016A	NVR2860E-08032A	NVR2860E-08048A	NVR2860E-08064A
Video/Audio Input				
IP Camera Input	16 channel	32 channel	48 channel	64 channel
Resolution	8MP(4K), 6MP, 5MP, 4MP, 3MP, 1080p, UXGA, 960p, 720p, XGA, SVGA, D1, CIF, QCIF			
Compression	H.265 / H.264			
Protocols	Onvif, RTSP, VSIP			
Bit rate	64kbps ~ 16384kbps			
Incoming Bandwidth	160Mbps	320Mbps	320Mbps	320Mbps
Live Viewing				
Local Display	1 x HDMI, 1 x VGA, simultaneously output different content			
Multi Screen Display Local monitor (Main / Secondary):	1, 3, 4, 9, 15, 16, 1+4, 1+8, 1+9, 1+15, 1/1, 2/1, 4/1, 9/1, 15/1, 16/1, 1+4/1, 1+8/1, 1+9/1, 1+15/1, 4/9, 9/9	1, 3, 4, 9, 15, 16, 25, 36, 1+4, 1+8, 1+9, 1+15, 1/1, 2/1, 4/1, 9/1, 15/1, 16/1, 1+4/1, 1+8/1, 1+9/1, 1+15/1, 4/9, 9/9, 9/9, 16/16	1, 3, 4, 9, 15, 16, 25, 36, 48, 1+4, 1+8, 1+9, 1+15, 1/1, 2/1, 4/1, 9/1, 15/1, 16/1, 36/1, 48/1, 1+4/1, 1+8/1, 1+9/1, 1+15/1, 4/9, 9/9, 9/9, 16/16	1, 3, 4, 9, 15, 16, 25, 36, 48, 64, 1+4, 1+8, 1+9, 1+15, 1/1, 2/1, 4/1, 9/1, 15/1, 16/1, 36/1, 48/1, 64/1, 1+4/1, 1+8/1, 1+9/1, 1+15/1, 4/9, 9/9, 9/9, 16/16
Multi Screen Display Client	up to 4 screens simultaneously: 1, 3, 4, 9, 12, 16, 20, 25, 30, 36, 42, 49, 56, 63, 64 1+5, 1+7, 1+8, 1+9, 1+11, 1+12, 1+13, 1+15, 1+16, 1+33, 1+47, 1+48			
E-Map Function	Live Viewing in E-Map (NVR Station)			
Recording	E-PTZ / Scheme / Polling / TV-Wall (optional with decoder) / Virtual channel			
Recording				
Resolution	8MP(4K), 6MP, 5MP, 4MP, 3MP, 1080p, UXGA, 960p, 720p, XGA, SVGA, D1, CIF, QCIF			
Mode	Manual / Continuous / Schedule / Event (Pre / Post)			
Event Trigger	Supported			
Tag	Supported			
Reliability	Automatic Network Replenishment (ANR)			
Search & Playback				
Search Mode	Date and time (Calendar) / Event			
Resolution	8MP(4K), 6MP, 5MP, 4MP, 3MP, 1080p, UXGA, 960p, 720p, XGA, SVGA, D1, CIF, QCIF			
Playback (Local Monitor)	4 x 4K@30fps / 16 x 1080p@30fps			
Playback (Client)	up to 16 x 4K@30fps			
Synchronize Playback (Local Monitor)	4 x 4K@30fps / 16 x 1080p@30fps			
Synchronize Playback (Client)	4 x 4K@30fps			
Function	Slow forward / Fast forward / Loop / Single frame / E-PTZ / Slice playback			
Storage				
Max. Internal HDDs	8 x 3.5" HDD			
RAID	Max. 48TB (up to 6TB/each) RAID 0/1/5/6/10			
External	IP SAN (iSCSI), up to 10 x IP SAN, Max. 100T (optional) e-SATA			
Function	Disk group / Quota / Disk dormancy			
Audio				
Compression	G.711a / G.711u / ADPCM / G.722 / G.722.1c / AAC-LC			
Bit rate	32kbps ~ 64kbps			
Audio Function	Bi-directional audio / Dumb / Mute / Broadcasting			
Alarm				
Service Alarm Triggers	Alarm input / Video lost / Motion detection / Tampering / Guard line / Defocus / Scene change / Enter guard area / Exit guard area / Object left / Object removal / Gathering / Audio surge			
System Alarm Triggers	Device disconnected / No disk / Disk error / IP Address conflict / Network disconnected / Low speed / Insufficient recording space / MAC address conflict / Insufficient snapshot space			
Alarm Events	Snapshot / Recording / PTZ preset / Buzzer / Email / Link to Client / Alarm caption / Live view in first window / Link to TV Wall / Link to secondary screen / Full screen viewing			
System				
Operating System	Embedded Linux			
User Management	Admin / User			
Log Management	User login / User operation / Alarm / Backup / Update			
Application Programming	NVR Station SDK			
Network				
Network Protocols	TCP/IP, UDP, HTTP, DHCP, DNS/DDNS, RTP/RTCP, RTSP, PPPoE, FTP, SNTp, VSIP, UPNP, SMTP, IPv4, IPv6 (optional)			
Viewer Software	CMS (NVR Station) / Web / iOS app / Android app			
Max. User Access	64 Users			
Output Bandwidth	256Mbps			
Function	NAT / Socks5 / Multiple network access / Packet loss recovery / Auto network organizing			
Network Test	Supported			
Hot Backup	N+1			
Interfaces				
Ethernet	2 x Gigabit network port, RJ45 interface			
Video Out	1 x HDMI (up to 3840 x 2160@60Hz) 1 x VGA (up to 1920 x 1080@60Hz)			
Audio In / Out	1 x RCA Line in / 1 x RCA Line out			
Alarm In / Out	2 x Inputs / 2 x Outputs			
Control	2 x RS485			
USB	2 x USB2.0, 1 x USB3.0			
e-SATA	1 x e-SATA			
Environmental				
Operating Temperature	-10°C ~ 55°C / 14°F ~ 131°F			
Operating Humidity	10% ~ 85%			
Electrical				
Power	100 ~ 240V AC, 50 ~ 60Hz			
Power Consumption	Max. 20W (HDD not included)			
Mechanical				
Weight	12.5kg / 27.5lb (HDD not included)			
Dimensions	443 x 561 x 88mm / 16.93" x 22.09" x 3.46"			

NVR2882-16A

16 Bay RAID Professional Network Video Recorder



Features

High-performance, High-capacity

- H.265 supported
- 4 x 4K@30fps / 16 x 1080p@30fps video decoding capability
- Up to 64 channel
- Up to 320Mbps incoming bandwidth
- 256Mbps output bandwidth
- 64 user access simultaneously
- Max. 16 HDDs up to 96TB storage
- e-SATA storage supported

Easy to install

- Automatic network organizing
- Built-in DHCP server

High reliability

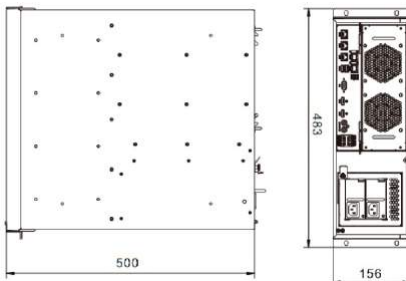
- Embedded Linux
- RAID 0/1/5/6/10/X
- Supports Automatic Network Replenishment (ANR)
- Supports Packet Loss Recovery (PLR)
- N+1 Hot Backup

Abundant functions and features

- HDMI/VGA simultaneously output different content
- E-Map, TV-Wall supported
- Bi-directional audio, Broadcasting
- NAT, Socks5
- Alarm management
- Free CMS (NVR Station), supports 128 NVR simultaneously
- CMS supports 6 screens simultaneously (4 x Live viewing, 1 x E-Map, 1 x TV-Wall)

Dimensions

Units:mm



Specifications

	NVR2882-16016A	NVR2882-16032A	NVR2882-16064A
Video/Audio Input			
IP Camera Input	16 channel	32 channel	64 channel
Resolution	8MP(4K), 6MP, 5MP, 4MP, 3MP, 1080p, UXGA, 960p, 720p, XGA, SVGA, D1, CIF, QCIF		
Compression	H.265 / H.264		
Protocols	Onvif, RTSP, VSIP		
Bit rate	64kbps ~ 16384kbps		
Incoming Bandwidth	160Mbps	320Mbps	320Mbps
Live Viewing			
Local Display	1 x HDMI, 1 x VGA, simultaneously output different content		
Multi Screen Display Local monitor (Main / Secondary):	1, 3, 4, 9, 15, 16, 1+4, 1+8, 1+9, 1+15, 1/1, 2/1, 4/1, 9/1, 15/1, 16/1, 1+4/1, 1+8/1, 1+9/1, 1+15/1, 4/9, 9/4, 9/9	1, 3, 4, 9, 15, 16, 25, 36, 1+4, 1+8, 1+9, 1+15, 1/1, 2/1, 4/1, 9/1, 15/1, 16/1, 1+4/1, 1+8/1, 1+9/1, 1+15/1, 4/9, 9/4, 9/9, 16/16	1, 3, 4, 9, 15, 16, 25, 36, 48, 64, 1+4, 1+8, 1+9, 1+15, 1/1, 2/1, 4/1, 9/1, 15/1, 16/1, 36/1, 48/1, 64/1, 1+4/1, 1+8/1, 1+9/1, 1+15/1, 4/9, 9/4, 9/9, 16/16
Multi Screen Display Client	up to 4 screens simultaneously: 1, 3, 4, 9, 12, 16, 20, 25, 30, 36, 42, 49, 56, 63, 64 1+5, 1+7, 1+8, 1+9, 1+11, 1+12, 1+13, 1+15, 1+16, 1+33, 1+47, 1+48		
E-Map Function	Live Viewing in E-Map (NVR Station) E-PTZ / Scheme / Polling / TV-Wall (optional with decoder) / Virtual channel		
Recording			
Resolution	8MP(4K), 6MP, 5MP, 4MP, 3MP, 1080p, UXGA, 960p, 720p, XGA, SVGA, D1, CIF, QCIF		
Mode	Manual / Continuous / Schedule / Event (Pre / Post)		
Event Trigger	Supported		
Tag	Supported		
Reliability	Automatic Network Replenishment (ANR)		
Search & Playback			
Search Mode	Date and time (Calendar) / Event		
Resolution	8MP(4K), 6MP, 5MP, 4MP, 3MP, 1080p, UXGA, 960p, 720p, XGA, SVGA, D1, CIF, QCIF		
Playback (Local Monitor)	4 x 4K@30fps / 16 x 1080p@30fps		
Playback (Client)	up to 16 x 4K@30fps		
Synchronize Playback (Local Monitor)	4 x 4K@30fps / 16 x 1080p@30fps		
Synchronize Playback (Client)	4 x 4K@30fps		
Function	Slow forward / Fast forward / Loop / Single frame / E-PTZ / Slice playback		
Storage			
Max. Internal HDDs	16x 3.5" HDD		
RAID	Max. 96TB (up to 6TB/each) RAID 0/1/5/6/10		
External	IP SAN (iSCSI), up to 10 x IP SAN, Max. 100T (optional) e-SATA		
Function	Disk group / Quota / Disk dormancy		
Audio			
Compression	G.711a / G.711u / ADPCM / G.722 / G.722.1c / AAC-LC		
Bit rate	32kbps ~ 64kbps		
Audio Function	Bi-directional audio / Dumb / Mute / Broadcasting		
Alarm			
Service Alarm Triggers	Alarm input / Video lost / Motion detection / Tampering / Guard line / Defocus / Scene change / Enter guard area / Exit guard area / Object left / Object removal / Gathering / Audio surge		
System Alarm Triggers	Device disconnected / No disk / Disk error / IP address conflict / Network disconnected / Low speed / Insufficient recording space / MAC address conflict / Insufficient snapshot space		
Alarm Events	Snapshot / Recording / PTZ preset / Buzzer / Email / Link to Client / Alarm caption / Live view in first window / Link to TV Wall / Link to secondary screen / Full screen viewing		
System			
Operating System	Embedded Linux		
User Management	Admin / User		
Log Management	User login / User operation / Alarm / Backup / Update		
Application Programming	NVR Station SDK		
Network			
Network Protocols	TCP/IP, UDP, HTTP, DHCP, DNS/DDNS, RTP/RTCP, RTSP, PPPoE, FTP, SNMP, VSIP, UPNP, SMTP, IPv4, IPv6 (optional)		
Viewer Software	CMS (NVR Station) / Web / iOS app / Android app		
Max. User Access	64 Users		
Output Bandwidth	256Mbps		
Function	NAT / Socks5 / Multiple network access / Packet loss recovery / Auto network organizing		
Network Test	Supported		
Hot Backup	N+1		
Interfaces			
Ethernet	2 x Gigabit network port, RJ45 interface		
Video Out	1 x HDMI (up to 3840 x 2160@60Hz) 1 x VGA (up to 1920 x 1080@60Hz)		
Audio In / Out	1 x RCA Line in / 1 x RCA Line out		
Alarm In / Out	2 x Inputs / 2 x Outputs		
Control	2 x RS485		
USB	2 x USB2.0, 1 x USB3.0		
e-SATA	1 x e-SATA		
Environmental			
Operating Temperature	-10°C ~ 55°C / 14°F ~ 131°F		
Operating Humidity	10% ~ 85%		
Electrical			
Power	100 ~ 240V AC, 50 ~ 60Hz		
Power Consumption	Max. 50W (HDD not included)		
Mechanical			
Weight	20kg / 44lb (HDD not included)		
Dimensions	483 x 500 x 156mm / 19.02" x 19.69" x 6.14"		

NVR2881-HD

16 Bay RAID Professional Network Video Recorder



Features

High-performance, High-capacity

- 16 x 1080p@30fps video decoding capability
- Up to 4K video supported
- Up to 128 channels
- Up to 512Mbps incoming bandwidth
- 512Mbps output bandwidth
- 64 user access simultaneously
- Max. 16 HDDs up to 96TB storage
- IP SAN storage supported

Easy to install

- Automatic network organizing
- Built-in DHCP server

High reliability

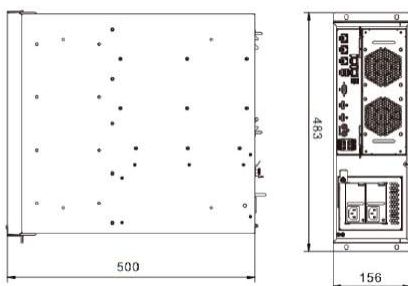
- Embedded Linux
- RAID 0/1/5/6/10
- Redundant Power Supply (optional)
- Supports Automatic Network Replenishment (ANR)
- Supports Packet Loss Recovery (PLR)
- N+1 Hot Backup

Abundant functions and features

- Recognitive smart search
- 3 video output simultaneously output different content
- E-Map, TV-Wall supported
- Bi-directional audio, Broadcasting
- NAT, Socks5
- Alarm management
- Free CMS (NVR Station), supports 128 NVR simultaneously
- CMS supports 6 screens simultaneously (4 x Live viewing, 1 x E-Map, 1 x TV-Wall)

Dimensions

Units:mm



Specifications

	NVR2881-32HD	NVR2881-64HD	NVR2881-128HD
Video/Audio Input			
IP Camera Input	32 channel	64 channel	128 channel
Resolution	8MP(4K), 6MP, 5MP, 4MP, 3MP, 1080p, UXGA, 960p, 720p, XGA, SVGA, D1, CIF, QCIF	3MP, 1080p, UXGA, 960p, 720p, XGA, SVGA, D1, CIF, QCIF	3MP, 1080p, UXGA, 960p, 720p, XGA, SVGA, D1, CIF, QCIF
Compression	H.264		
Protocols	Onvif, RTSP, VSIP		
Incoming Bandwidth	160Mbps	320Mbps	512Mbps
Live Viewing			
Local Display	2 x HDMI, 1 x VGA, simultaneously output different content		
Multi Screen Display Local monitor (Main / Secondary / Tertiary):	1/1/1, 4/1/1, 9/1/1, 15/1/1, 16/1/1, 24/1/1, 25/1/1, 35/1/1, 1+4/1/1, 1+8/1/1, 1+9/1/1, 1+15/1/1, 4/4/4, 9/9/9, 16/16/16	1/1/1, 4/1/1, 9/1/1, 15/1/1, 16/1/1, 24/1/1, 25/1/1, 35/1/1, 36/1/1, 48/1/1, 49/1/1, 63/1/1, 64/1/1, 1+4/1/1, 1+8/1/1, 1+9/1/1, 1+15/1/1, 4/4/4, 9/9/9, 16/16/16, 16/24/24	1/1/1, 4/1/1, 9/1/1, 15/1/1, 16/1/1, 24/1/1, 25/1/1, 35/1/1, 36/1/1, 48/1/1, 49/1/1, 63/1/1, 64/1/1, 1+4/1/1, 1+8/1/1, 1+9/1/1, 1+15/1/1, 4/4/4, 9/9/9, 16/16/16, 4/16/16, 16/24/24, 35/48/48
Multi Screen Display Client	up to 4 screens simultaneously: 1, 3, 4, 9, 12, 16, 20, 25, 30, 36, 42, 49, 56, 63, 64		
E-Map Function	1+5, 1+7, 1+8, 1+9, 1+11, 1+15, 1+16, 1+33, 1+47, 1+48		
Recording	Live Viewing in E-Map (NVR Station) E-PTZ / Scheme / Polling / TV-Wall (optional with decoder)		
Resolution	8MP(4K), 6MP, 5MP, 4MP, 3MP, 1080p, UXGA, 960p, 720p, XGA, SVGA, D1, CIF, QCIF		3MP, 1080p, UXGA, 960p, 720p, XGA, SVGA, D1, CIF, QCIF
Mode	Manual / Continuous / Schedule / Event (Pre / Post)		
Event Trigger	Supported		
Tag	Supported		
Reliability	Automatic Network Replenishment (ANR)		
Search & Playback			
Search Mode	Date and time (Calendar) / Event		
Resolution	8MP(4K), 6MP, 5MP, 4MP, 3MP, 1080p, UXGA, 960p, 720p, XGA, SVGA, D1, CIF, QCIF		3MP, 1080p, UXGA, 960p, 720p, XGA, SVGA, D1, CIF, QCIF
Playback (Local Monitor)	1 x 4K@30fps / 4 x 4MP@30fps / 16 x 1080p@30fps		
Playback (Client)	16 x 4K@30fps		
Synchronize Playback (Local Monitor)	4 x 4MP@30fps / 16 x 1080p@30fps		
Synchronize Playback (Client)	4 x 4K@30fps		
Function	Slow forward / Fast forward / Loop / Single frame / E-PTZ/ Slice playback		
Storage			
Max. Internal HDDs	16 x 3.5" HDD		
RAID	Max. 96TB (up to 6TB/each)		
External	RAID 0/1/5/6/10		
Function	IP SAN (iSCSI), up to 10 x IP SAN, Max. 100T		
Audio	Disk group / Quota / Disk dormancy		
Compression	G.711a / G.711u / ADPCM / G.722 / G.722.1c / AAC-LC		
Bit rate	32kbps ~ 64kbps		
Audio Function	Bi-directional audio / Dumb / Mute / Broadcasting		
Alarm			
Service Alarm Triggers	Alarm input / Video lost / Motion detection / Tampering / Guard line / Defocus / Scene change / Enter guard area / Exit guard area / Object left / Object removal / Gathering / Audio surge		
System Alarm Triggers	Device disconnected / No disk / Disk error / IP Address conflict / Network disconnected / Low speed / Insufficient recording space / MAC address conflict / Insufficient snapshot space		
Alarm Events	Snapshot / Recording / PTZ preset / Buzzer / Email / Link to Client / Alarm caption / Live view in first window / Link to TV Wall / Link to secondary screen / Full screen viewing		
Intelligent			
Recognition	Recognitive camera access (optional)		
Smart Search	Supported		
System			
Operating System	Embedded Linux		
User Management	Admin / User		
Log Management	User login / User operation / Alarm / Backup / Update		
Application Programming	NVR Station SDK		
Network			
Network Protocols	TCP/IP, UDP, HTTP, DHCP, DNS/DDNS, RTP/RTCP, RTSP, PPPoE, FTP, SMTP, VSIP, UPNP, SMTP, IPv4, IPv6 (optional)		
Viewer Software	CMS (NVR Station) / Web / iOS app / Android app		
Max. User Access	64 Users		
Output Bandwidth	512Mbps		
Function	NAT / Socks5 / Multiple network access / Packet loss recovery / Auto network organizing		
Network Test	Supported		
Hot Backup	N+1		
Interfaces			
Ethernet	3 x Gigabyte network port, RJ45 interface		
Video Out	2 x HDMI (1 HDMI up to 4K x 2K, 1 HDMI up to 1920 x 1080@60Hz)		
Audio In / Out	1 x VGA (up to 1920 x 1080@60Hz)		
Alarm In / Out	1 x RCA Line in / 1 x RCA Line out		
Control	2 x Inputs / 2 x Outputs		
USB	2 x RS485		
USB	2 x USB 2.0, 2 x USB 3.0		
Environmental			
Operating Temperature	-10°C ~ 55°C / 14°F ~ 131°F		
Operating Humidity	10% ~ 85%		
Electrical			
Power	100 ~ 240V AC, 50 ~ 60Hz		
Power Consumption	Redundant Power Supply (the second power is optional) Max. 150W (HDD not included)		
Mechanical			
Weight	20kg / 44lb (HDD not included)		
Dimensions	483 x 500 x 156mm / 19.02" x 19.69" x 6.14"		

NVR2881-HDI

16 Bay Intelligent RAID Professional Network Video Recorder



Features

Intelligent

- Integrated video synopsis algorithm in NVR
- Compress recorded video into a video summary
- Grab snapshot of every moving object
- Obtain the characters of every moving object (type, color, size, direction, speed)
- Fast searching for targets by characters

High-performance, High-capacity

- 16 x 1080p@30fps video decoding capability
- 4K video output supported
- Up to 64 channels
- Up to 320Mbps incoming bandwidth
- 512Mbps output bandwidth
- 64 user access simultaneously
- Max. 16 HDDs up to 96TB storage
- IP SAN storage supported

Easy to install

- Automatic network organizing
- Built-in DHCP server

High reliability

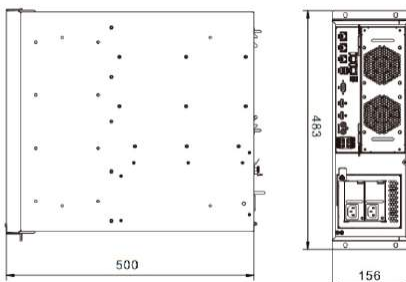
- Embedded Linux
- RAID 0/1/5/6/10
- Redundant Power Supply (optional)
- Supports Automatic Network Replenishment (ANR)
- Supports Packet Loss Recovery (PLR)

Abundant functions and features

- 3 video output simultaneously output different content
- E-Map, TV-Wall supported
- Bi-directional audio, Broadcasting
- NAT, Socks5
- Alarm management
- Free CMS (NVR Station), supports 128 NVR simultaneously
- CMS supports 6 screens simultaneously (4 x Live viewing, 1 x E-Map, 1 x TV-Wall)

Dimensions

Units:mm



Specifications

	NVR2881-32HDI	NVR2881-64HDI
Video/Audio Input		
IP Camera Input	32 channel	64 channel
Resolution	1080p, UXGA, 960p, 720p, XGA, SVGA, D1, CIF, QCIF	
Compression	H.264	
Protocols	Onvif, RTSP, VSIP	
Incoming Bandwidth	160Mbps	320Mbps
Live Viewing		
Local Display	2 x HDMI, 1 x VGA, simultaneously output different content	
Multi Screen Display Local monitor (Main / Secondary / Tertiary):	1/1/1, 4/1/1, 9/1/1, 15/1/1, 16/1/1, 24/1/1, 25/1/1, 35/1/1, 1+4/1/1, 1+8/1/1, 1+9/1/1, 1+15/1/1, 4/4/4, 9/9/9, 16/16/16	1/1/1, 4/1/1, 9/1/1, 15/1/1, 16/1/1, 24/1/1, 25/1/1, 35/1/1, 36/1/1, 48/1/1, 49/1/1, 63/1/1, 64/1/1, 1+4/1/1, 1+8/1/1, 1+9/1/1, 1+15/1/1, 4/4/4, 9/9/9, 16/16/16, 4/16/16, 16/24/24
Multi Screen Display Client	up to 4 screens simultaneously: 1, 3, 4, 9, 12, 16, 20, 25, 30, 36, 42, 49, 56, 63, 64 1+5, 1+7, 1+8, 1+9, 1+11, 1+15, 1+16, 1+33, 1+47, 1+48	
E-Map Function	Live Viewing in E-Map (NVR Station) E-PTZ / Scheme / Polling / TV-Wall (optional with decoder)	
Recording		
Resolution	1080p, UXGA, 960p, 720p, XGA, SVGA, D1, CIF, QCIF	
Mode	Manual / Continuous / Schedule / Event (Pre / Post)	
Event Trigger	Supported	
Tag	Supported	
Reliability	Automatic Network Replenishment (ANR)	
Search & Playback		
Search Mode	Date and time (Calendar) / Event	
Resolution	1080p, UXGA, 960p, 720p, XGA, SVGA, D1, CIF, QCIF	
Local monitor:	16 x 1080p@30fps	
Client:	16 x 1080p@30fps	
Synchronize Playback	Local monitor: 16 x 1080p@30fps Client: 4 x 1080p@30fps	
Function	Slow forward / Fast forward / Loop / Single frame / E-PTZ/ Slice playback	
Storage		
Max. Internal HDDs	16 x 3.5" HDD	
RAID	Max. 96TB (up to 6TB/each) RAID 0/1/5/6/10	
External	IP SAN (iSCSI), up to 10 x IP SAN, Max. 100T	
Function	Disk group / Quota / Disk dormancy	
Audio		
Compression	G.711a / G.711u / ADPCM / G.722 / G.722.1c / AAC-LC	
Bit rate	32kbps ~ 64kbps	
Audio Function	Bi-directional audio / Dumb / Mute / Broadcasting	
Alarm		
Service Alarm Triggers	Alarm input / Video lost / Motion detection / Tampering / Guard line / Defocus / Scene change / Enter guard area / Exit guard area / Object left / Object removal / Gathering / Audio surge	
System Alarm Triggers	Device disconnected / No disk / Disk error / IP Address conflict / Network disconnected / Low speed / Insufficient recording space / MAC address conflict / Insufficient snapshot space	
Alarm Events	Snapshot / Recording / PTZ preset / Buzzer / Email / Link to Client / Alarm caption / Live view in first window / Link to TV Wall / Link to secondary screen / Full screen viewing	
Intelligent		
Video Synopsis	Supported	
Analytic Snapshot	Supported	
System		
Operating System	Embedded Linux	
User Management	Admin / User	
Log Management	User login / User operation / Alarm / Backup / Update	
Application Programming	NVR Station SDK	
Network		
Network Protocols	TCP/IP, UDP, HTTP, DHCP, DNS/DDNS, RTP/RTCP, RTSP, PPPoE, FTP, SNTp, VSIP, UPNP, SMTP, IPv4, IPv6 (optional)	
Viewer Software	CMS (NVR Station) / Web / iOS app / Android app	
Max. User Access	64 Users	
Output Bandwidth	512Mbps	
Function	NAT / Socks5 / Multiple network access / Packet loss recovery / Auto network organizing	
Network Test	Supported	
Interfaces		
Ethernet	3 x Gigabit network port, RJ45 interface	
Video Out	2 x HDMI (1 HDMI up to 4K x 2k, 1 HDMI up to 1920 x 1080@60Hz)	
Audio In / Out	1 x RCA Line in / 1 x RCA Line out	
Alarm In / Out	2 x Inputs / 2 x Outputs	
Control	2 x RS485	
USB	2 x USB 2.0, 2 x USB 3.0	
Environmental		
Operating Temperature	-10°C ~ 55°C / 14°F ~ 131°F	
Operating Humidity	10% ~ 85%	
Electrical		
Power	100 ~ 240V AC, 50 ~ 60Hz	
Power Consumption	Redundant Power Supply (the second power is optional) Max. 150W (HDD not included)	
Mechanical		
Weight	20kg / 44lb (HDD not included)	
Dimensions	483 x 500 x 156mm / 19.02" x 19.69" x 6.14"	

KDM2801H-G2

VMS - Video Management System



Features

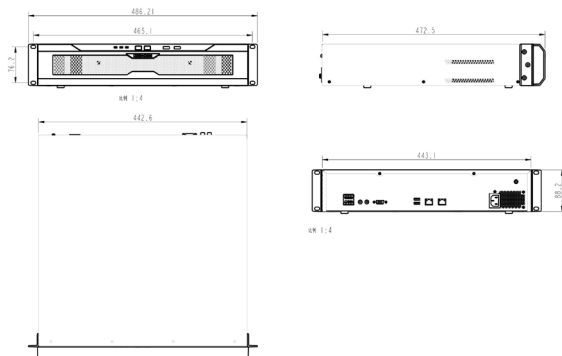
- High-performance, High-capacity**
- Up to 1000 channel per unit
 - Max. 640Mbps incoming bandwidth
 - Max. 640Mbps output bandwidth
 - Up to 300 users access simultaneously
 - 8-level cascade
 - 32 devices stack per level
- High reliability**
- Embedded Linux
 - Supports Packet Loss Recovery (PLR)
 - N+1 Hot Backup
- Abundant functions and features**
- E-Map, TV-Wall supported
 - Bi-directional audio
 - NAT, Socks5
 - Alarm management
 - Free Client (CU client)

Specifications

	KDM2801H-G2
Capacity	
Access	3000 Channel
Stack	32 devices per level, up to 3000 Channel
Cascade	8-level, up to 20000 Channel
Incoming Bandwidth	Max. 640Mbps
Output Bandwidth	Max. 640Mbps
Live Viewing	
Multi Screen Display	up to 64 multi-window
E-Map	Live Viewing in E-Map
Function	E-PTZ / Scheme / Polling / TV-Wall (optional with decoder)
Recording	
Mode	Manual / Continuous / Schedule / Event (Pre / Post)
Event Trigger	Alarm input / Video lost / Motion Detection
Search & Playback	
Search Mode	Date and time (Calendar) / Event
Playback Mode	Single Playback / Multi Playback / Synchronize Playback
Function	Slow forward / Fast forward / Loop / Single Frame / E-PTZ
Storage	
External	IP SAN (iSCSI), up to 31 x IP SAN
Video	
Compression	H.265 / H.264 / MPEG4
Image Resolution	QXGA, 1080p, UXGA, 960p, 720p, XGA, SVGA, D1, CIF, QCIF
Frame Rate	1 ~ 30fps
Bitrate	64kbps ~ 8Mbps
Audio	
Compression	G.711a / G.711u / ADPCM / G.722 / G.722.1c / AAC-LC
Bitrate	32kbps ~ 64kbps
Alarm	
Alarm Triggers	Alarm input / Video lost / Motion Detection / Disk alarm
Alarm Events	Snapshot / Recording / PTZ preset / Alarm out / Buzzer / Link to Client / Alarm caption
System	
Operating System	Embedded Linux
User Management	Super admin / Admin / User
Log Management	User login / User operation / Device / Alarm / Backup
Network	
Network Protocols	SIP, TCP/IP, UDP, HTTP, DHCP, DNS/DDNS, RTP/RTCP, RTSP, FTP, SNMP, VSIP
Viewer Software	CU Client
Max. User Access	300 Users
Protocols	ONVIF, GB/T 28181-2011
Application Programming	CU SDK
Function	NAT / Socks5 / Multiple network access / Packet loss recovery
Hot Backup	N+1
Interfaces	
Ethernet	2 x Gigabit network port, RJ45 interface
USB	4 x USB2.0
Control	1 x RS485
Video Out	1 x VGA, for debug only
Internal	2 x USB2.0, for USB license dongle
Environmental	
Operating Temperature	0°C ~ 55°C / 32°F ~ 131°F
Operating Humidity	10% ~ 90%
Electrical	
Power	100 ~ 240V AC, 50 ~ 60Hz
Power Consumption	Max. 25W
Mechanical	
Weight	13kg / 28.66lb (Gross Weight)
Dimensions	443 x 461 x 88mm / 17.44" x 18.15" x 3.46"

Dimensions

Units:mm



KDM2802A-G2

High-capacity VMS - Video Management System



Features

High-performance, High-capacity

- Up to 5000 channel per unit
- Max. 640Mbps incoming bandwidth
- Max. 640Mbps output bandwidth
- Up to 300 users access simultaneously
- 8-level cascade
- 32 devices stack per level

High reliability

- Embedded Linux
- Supports Packet Loss Recovery (PLR)
- Redundant Power Supply
- N+1 Hot Backup

Abundant functions and features

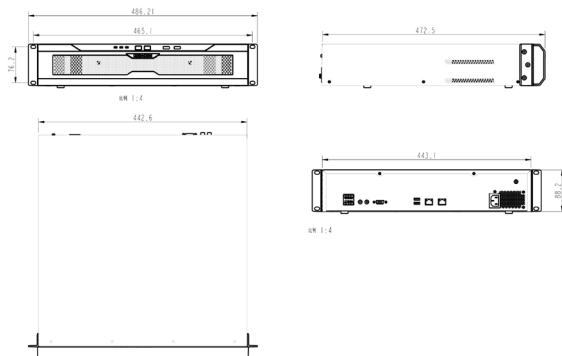
- E-Map, TV-Wall supported
- Bi-directional audio
- NAT, Socks5
- Alarm management
- Free Client (CU client)

Specifications

	KDM2802A-G2
Capacity	
Access	5000 Channel
Stack	32 devices per level, up to 15000 Channel
Cascade	8-level, up to 50000 Channel
Incoming Bandwidth	Max. 640Mbps
Output Bandwidth	Max. 640Mbps
Live Viewing	
Multi Screen Display	up to 64 multi-window
E-Map	Live Viewing in E-Map
Function	E-PTZ / Scheme / Polling / TV-Wall (optional with decoder)
Recording	
Mode	Manual / Continuous / Schedule / Event (Pre / Post)
Event Trigger	Alarm input / Video lost / Motion Detection
Search & Playback	
Search Mode	Date and time (Calendar) / Event
Playback Mode	Single Playback / Multi Playback / Synchronize Playback
Function	Slow forward / Fast forward / Loop / Single Frame / E-PTZ
Storage	
External	IP SAN (iSCSI), up to 31 x IP SAN
Video	
Compression	H.265 / H.264 / MPEG4
Image Resolution	QXGA, 1080p, UXGA, 960p, 720p, XGA, SVGA, D1, CIF, QCIF
Frame Rate	1 ~ 30fps
Bitrate	64kbps ~ 8Mbps
Audio	
Compression	G.711a / G.711u / ADPCM / G.722 / G.722.1c / AAC-LC
Bitrate	32kbps ~ 64kbps
Alarm	
Alarm Triggers	Alarm input / Video lost / Motion Detection / Disk alarm
Alarm Events	Snapshot / Recording / PTZ preset / Alarm out / Buzzer / Link to Client / Alarm caption
System	
Operating System	Embedded Linux
User Management	Super admin / Admin / User
Log Management	User login / User operation / Device / Alarm / Backup
Network	
Network Protocols	SIP, TCP/IP, UDP, HTTP, DHCP, DNS/DDNS, RTP/RTCP, RTSP, FTP, SNTIP, VSIP
Viewer Software	CU Client
Max. User Access	300 Users
Protocols	ONVIF, GB/T 28181-2011
Application Programming	CU SDK
Function	NAT / Socks5 / Multiple network access / Packet loss recovery
Hot Backup	N+1
Interfaces	
Ethernet	3 x Gigabit network port, RJ45 interface
USB	4 x USB2.0
Control	1 x RS485
Video Out	1 x VGA, for debug only
Internal	2 x USB2.0, for USB license dongle
Environmental	
Operating Temperature	0°C ~ 55°C / 32°F ~ 131°F
Operating Humidity	10% ~ 90%
Electrical	
Power	100 ~ 240V AC, 50 ~ 60Hz
Power Consumption	Redundant Power Supply Max. 80W
Mechanical	
Weight	15kg / 33.07lb (Gross Weight)
Dimensions	443 x 461 x 88mm / 17.44" x 18.15" x 3.46"

Dimensions

Units:mm



VS200G

16 Bay IP SAN



Features

High-performance, High-capacity

- Max. 500Mbps recording rate
- Max. 16 HDDs up to 96TB storage

High reliability

- Embedded Linux
- RAID 0/1/5/6/10, RAID X
- HDD hot spare
- Redundant Power Supply
- HDD hot-swap
- Ethernet trunk

Abundant functions and features

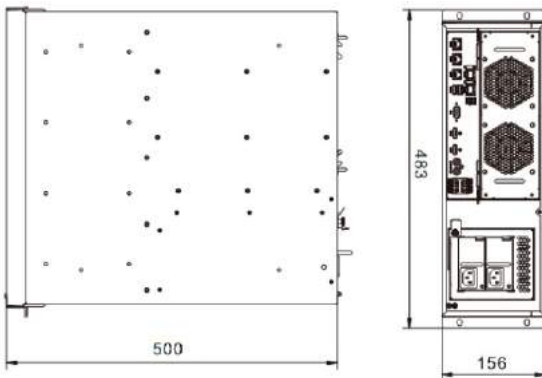
- Multiple units management
- Alarm management
- Modular architecture

Specifications

	VS200G
General	
Disk Interface	SATA: 1TB, 2TB, 3TB, 4TB, 6TB
RAID	RAID0,1,5,6,10, RAID X
HDD Hot-swap	Supported
Max. Internal HDDs	16 x 3.5" HDD
	Max. 96TB (up to 6TB/each)
Storage Management	
Recording rate	500Mbps
Disk management	S.M.A.R.T. (Self-Monitoring, Analysis and Reporting)
Device Management	
Management	Web-based GUI, Multiple units management
Alarm	Sound, LED, Email, GUI Warning
Network	
Network Protocols	TCP/IP, UDP, HTTP, FTP, IPv4, iSCSI, NAS, NRU
Trunk	Supported
Interfaces	
Ethernet	3 x Gigabit network port, RJ45 interface
Output	VGA output for debugging
USB	2 x USB3.0, for keyboard or user data backup
Environmental	
Operating Temperature	10°C ~ 35°C / 50°F ~ 95°F
Operating Humidity	10% ~ 90%
Electrical	
Power	100 ~ 240V AC, 50 ~ 60Hz
	Redundant Power Supply
Power Consumption	Max. 216W (HDD not included)
Mechanical	
Weight	Approx.20kg (HDD not included, redundant power supply)
Dimensions	156 x 483 x 500mm / 6.14" x 19.02" x 19.69"

Dimensions

Units:mm



KDM201

Video Decoder Unit



Features

High-performance, High-capacity

- Max. 16 x 4K@30fps / 72 x 1080p@30fps / 144 x 720p@30fps decoder per unit
- H.264 / H.265

Easy to deploy

- Modular architecture, 8 slots
- Rack-mounted
- Different decoder modules supported

Easy to install

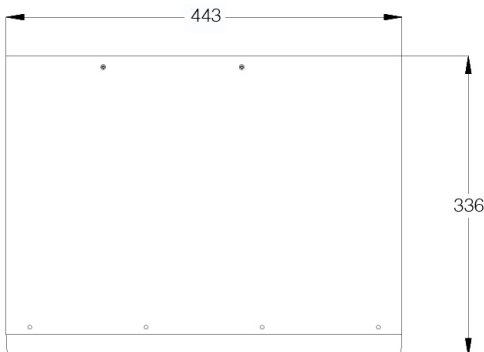
- Built-in Web Server, easy to manage and configure

Abundant functions and features

- Bi-directional audio

Dimensions

Units:mm



Specifications

	KDM201 Decoder Module Chassis
Interfaces	
Slots	8
Ethernet	1 x Gigabit network port, RJ45 interface
Environmental	
Operating Temperature	-10°C ~ 40°C / 14°F ~ 104°F
Operating Humidity	10% ~ 90%
Electrical	
Power	100 ~ 240V AC, 50 ~ 60Hz
Power Consumption	Max. 250W
Mechanical	
Weight	8kg / 21.43lb (Gross Weight)
Dimensions	443 x 336 x 88mm / 17.44" x 13.23" x 3.46"
	KDM201-D02E UHD Decoder Module
Video	
Compression	H.264 / H.265
Image Resolution	8MP(4K), 4MP, QXGA, 1080p, UXGA, 960p, 720p, XGA, SVGA, D1, CIF
	2 channel output:
Multichannel	1 x 4K / 2 x 4MP / 4 x 1080p / 9 x 720p / 16 x D1 by each channel
	1 channel output (disable other video output):
	2 x 4K / 4 x 4MP / 9 x 1080p / 16 x 720p
Layout	1, 2, 3, 4, 9, 16
Frame Rate	1 ~ 60fps
Bitrate	64kbps ~ 36Mbps
Audio	
Compression	G.711a / G.711u / ADPCM / G.722 / G.722.1c / AAC-LC / AMR
Bitrate	8kbps ~ 64kbps
Interfaces	
Video Out	2 x HDMI (up to 3840 x 2160)
Audio In / Out	1 x VGA (up to 1920 x 1080)
Control	1 x 3.5mm Line in, 1 x 3.5mm Line out
User Interface	1 x RS485
	Web / NVR / NVR Station client / VMS client
	KDM201-D01F HD Decoder Module
Video	
Compression	H.264
Image Resolution	QXGA, 1080p, UXGA, 960p, 720p, XGA, SVGA, D1, CIF, QCIF
Multichannel	1 x QXGA / 2 x 1080p / 4 x 720p / 9 x D1 / 16 x CIF
Layout	1, 2, 4, 9, 16
Frame Rate	1 ~ 60fps
Bitrate	64kbps ~ 8Mbps
Audio	
Compression	G.711a / G.711u / ADPCM / G.722 / AAC-LC / AMR
Bitrate	92kbps ~ 64kbps
Interfaces	
Video Out	1 x HDMI, 1 x VGA, 1 x BNC
Audio In / Out	1 x 3.5mm Mic in, 1 x 3.5mm Line in, 1 x 3.5mm Line out
Control	1 x RS232, 1 x RS485
User Interface	Web / NVR / NVR Station client / VMS client
	KDM201-D04F HD Decoder Module
Video	
Compression	H.264
Image Resolution	QXGA, 1080p, UXGA, 960p, 720p, XGA, SVGA, D1, CIF, QCIF
Multichannel	2 x QXGA / 4 x 1080p / 8 x 720p / 16 x D1 / 64 x CIF
Layout	1, 2, 4, 9, 16
Frame Rate	1 ~ 60fps
Bitrate	64kbps ~ 8Mbps
Audio	
Compression	G.711a / G.711u / ADPCM / G.722 / AAC-LC / AMR
Bitrate	92kbps ~ 64kbps
Interfaces	
Video Out	4 x HDMI
Audio In / Out	1 x 3.5mm Line in, 1 x 3.5mm Line out
Control	1 x RS232, 1 x RS485
User Interface	Web / NVR / NVR Station client / VMS client

KDM2510M

Onvif Gateway



Features

Excellent Video Transmission

- Up to 16 channel
- Up to 160Mbps incoming bandwidth
- 256Mbps output bandwidth

High Reliability

- Embedded Linux
- Low power consumption

Protocol Conversion

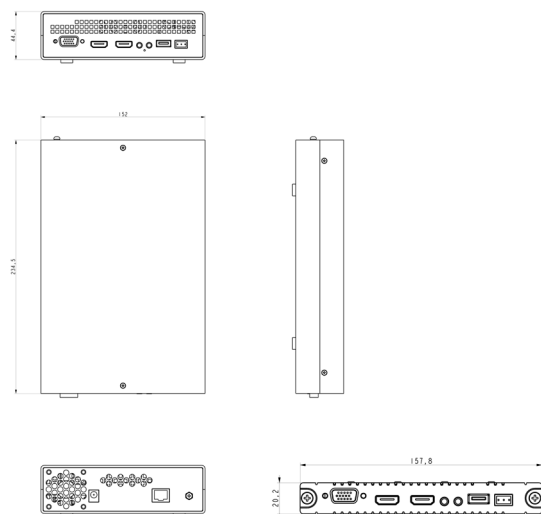
- IP Camera / Body Worn Camera / Body Worn Surveillance Phone accessible
- Access Third-party Platform Via Onvif

Specifications

	KDM2510M-09A/G	KDM2510M-16A/G
Video/Audio Input		
Input Num	9 channel	16 channel
Input Type	IP Camera / Body Worn Camera / Body Worn Surveillance Phone accessible	
Resolution	8MP(4K), 6MP, 5MP, 4MP, 3MP, 1080p, UXGA, 960p, 720p, XGA, SVGA, D1, CIF, QCIF	
Compression Format	H.265 / H.264	
Protocols	Onvif, RTSP, VSIP	
Bitrate	64kbps ~ 16384kbps	
Incoming Bandwidth	160Mbps	
Audio		
Compression	G.711a / G.711u / ADPCM / G.722 / G.722.1c / AAC-LC	
Bit rate	32kbps ~ 64kbps	
Audio Function	Bi-directional audio / Dumb / Broadcasting	
ONVIF		
ONVIF Function	Access Third-party Platform Via Onvif	
Output		
Bandwidth	256Mbps	
System		
Operation System	Embedded Linux	
User Management	Admin / User	
Log Management	User login / User operation / Alarm / Backup / Update	
Application Programming	SDK	
Network		
Compression	G.711a / G.711u / ADPCM / G.722 / G.722.1c / AAC-LC	
Bit rate	32kbps ~ 64kbps	
Audio Function	Bi-directional audio / Dumb / Mute / Broadcasting	
Alarm		
Network Protocol	TCP/IP, UDP, HTTP, DHCP, DNS/DDNS, RTP/RTCP, RTSP, FTP, SNTp, VSIP, KWTP, UPNP, SMTP, IPv4, IPv6 (optional)	
Viewer Software	CMS (NVR Station) / Web / IOS app / Android app	
Max. User Access	64 Users	
Function	NAT / Socks5 / Multiple network access / Packet loss recovery / Auto network organizing	
Network Test	Supported	
Interfaces		
Ethernet	1 x Gigabite network port	
Video Out	2 x HDMI (HDMI2 up to 3840 x 2160@30Hz)	
Control	1 x RS485	
USB	1x USB3.0	
Environmental		
Operating Temperature	-10°C ~ 55°C / 14°F ~ 131°F	
Operating Humidity	10% ~ 90%	
Electrical		
Power	DC12V	
Power Consumption	Max. 15W	
Mechanical		
Weight	1.2Kg	
Dimensions	235mm x172mm x57mm	

Dimensions

Units:mm



IPA102

Network Video Adapter



Features

Mini size

- 0.2kg / 0.54lb
- 120 x 64 x 24mm / 4.72" x 2.52" x 0.94"

Easy to install

- Built-in Web Server, easy to manage and configure

Abundant functions and features

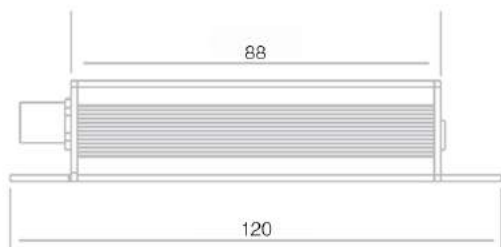
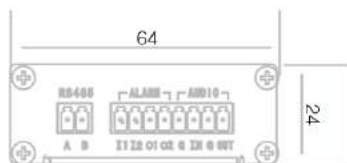
- H.264 high profile video codec, saves up to 30% bandwidth and storage
- Dual-stream
- Micro SD card slot, supports Automatic Network Replenishment (ANR)
- Bi-directional audio / alarm in and out / RS485

Specifications

	IPA102
Video	
Compression	H.264
Image Resolution	D1, CIF, QCIF
Frame Rate	1 ~ 25fps
Bitrate	64kbps ~ 4Mbps
Audio	
Compression	G.711 / ADPCM
Bitrate	32kbps ~ 64kbps
Network	
Network Protocols	TCP/IP, ARP, ICMP, FTP, DNS/DDNS, RTP/RTCP, RTSP, PPPoE, FTP, NTP, SNMP
User Interface	Web
Interfaces	
Ethernet	10/100M, RJ45 interface
Audio In / Out	1 x Line in / 1 x Line out
Control	1 x RS485
Alarm In / Out	1 x Input / 1 x Output
Video In	1 x BNC
Memory Slot	Micro SD card slot
Environmental	
Operating Temperature	-20°C ~ 60°C / -4°F ~ 140°F
Operating Humidity	10% ~ 90%
Electrical	
Power	12V DC
Power Consumption	Max. 4W
Mechanical	
Weight	0.2kg / 0.54lb (Gross Weight)
Dimensions	120 x 64 x 24mm / 4.72" x 2.52" x 0.94"

Dimensions

Units:mm



KDM2410M-V21

Vehicle NVR / Wireless Mobile Encoder



Features

Excellent Video Transmission

- KWTP protocol for 3G / 4G transmission, improves the video stream continuity under unstable network
- H.265 video codec, saves up to 50% bandwidth and storage

High Reliability

- Embedded Linux
- Low power consumption
- Aviation plug design for Ethernet, video, audio, control signal and power supply
- Fan-less design with heat dissipation shell
- Shock-proof design, protects the HDD while vehicle is being driven

Easy to Use

- Pluggable HDD drawer, easy to change HDD module
- HDD module support USB interface, easy to backup record

Abundant functions and features

- 4 Channel IP Camera + 4 Channel Analog Camera access
- Built-in Wi-Fi AP module, can access Wi-Fi IP camera and PAD
- All mobile networks supported
- Built-in GPS module
- Supports dual SIM card bundle

Specifications

	KDM2410M-V21
Camera Input	
IP Camera	4 Channel
Analog Camera	4 Channel
Video	
Compression Format	H.265 / H.264
Resolution	4MP, 1080p, 720p, D1, CIF, QCIF
Dual Stream	Supported
Video Frame Rate	1 ~ 30fps
Bitrate	64Kbps ~ 4Mbps
Audio	
Compression Format	G.711a / G.711u / ADPCM / AMR / G.722.1c / AAC-LC
Bit rate	24Kbps ~ 64Kbps
Audio Function	Bi-directional audio / AEC / Mute / Dumb / Remix
Storage	
HDD	1 x 2.5" hard disk (hard disk drawer), Max. 4TB
Memory Slot	SD slot, supports up to 128GB
Network	
Network Protocol	TCP/IP, ARP, FTP, TELNET, HTTP, RTP/RTCP, SNMP, VSIP, KWTP, IPv4, IPv6 (optional)
Function	NAT / Multiple network access / Packet loss recovery
Wireless	3G (optional) / 4G (optional) / Wi-Fi
	FDD-LTE: B1 / B2 / B3 / B5 / B7 / B8 / B20
	TDD-LTE: B38 / B39 / B40 / B41
3G / 4G Frequency Band	HSPA / UMTS: 850 / 900 / 1800 / 1900 / 2100MHz
	GSM / GPRS / EDGE: 850 / 900 / 1800 / 1900MHz
	TD-SCDMA: B34 / B39
	EVDO/CDMA: BC0 / BC1
Wi-Fi	802.11b/g/n 2.4G, Wi-Fi AP
Location Technology	GPS, GLONASS (optional), Beidou (optional)
Interfaces	
Ethernet	1 x RJ45, 10Base-T/100Base-TX
Audio In / Out	1 x Mic in, 1 x Mic out
	4 x 10 pin: 4 x Video input / 4 x Audio input, 4 x DC12V / 1A Output, 4 x RJ45
Aviation Plug	1 x 4 pin: Power supply for PTZ Camera
	1 x 10 pin: Video output
	1 x 9 pin: Power input 9 ~ 36V DC
Alarm In / Out	4 x Input / 1 x Output
Control	1 x RS485, 1 x RS232
Antenna	1 x Wi-Fi Antenna interface, 1 x GPS Antenna interface
Extension	3 x Extension module slot (supports 3G / 4G module, GLONASS / Beidou module)
Environmental	
Operating Temperature	-40°C ~ 70°C / -40°F ~ 158°F
Operating Humidity	10% ~ 85%
Elevation	-60m ~ 5000m
Electrical	
Power	9 ~ 36V DC wide range input
Power Consumption	12V DC input
	15W (HDD not included)
Mechanical	
Weight	2.6kg / 5.73lb
Dimension	252 x 188.4 x 60mm / 9.92" x 7.42" x 2.36"
Accessories	
Standard	1 x Wi-Fi Antenna, 1 x GPS Antenna, 7 x Aviation plug connector cable, 1 x USB cable
Optional	3G / 4G Module, Mounting Box, HDD Box, Android Pad

Dimensions

Units:mm

